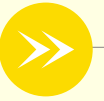


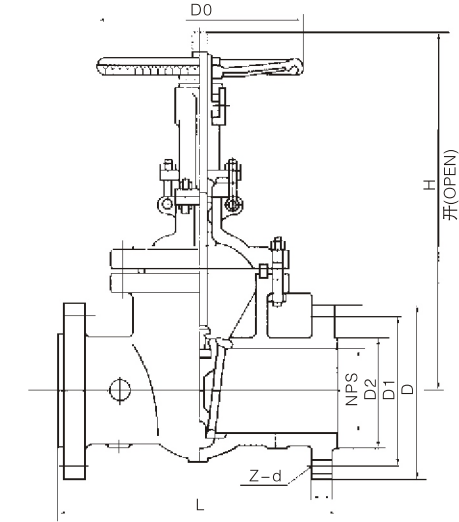
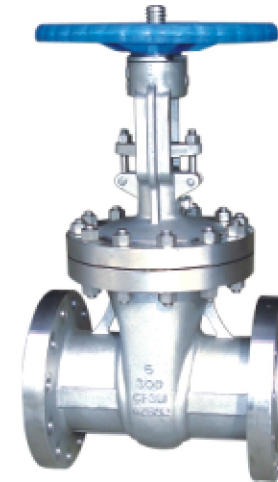
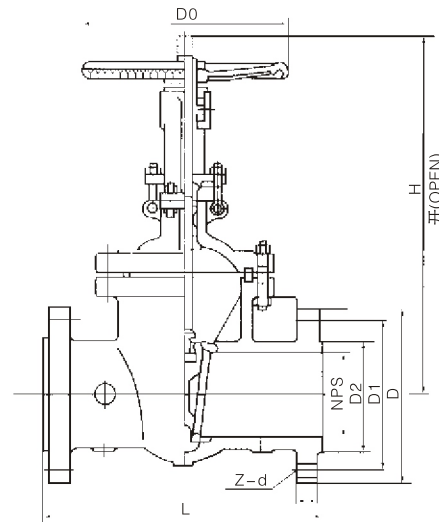
TIANJIN K.R.S VALVES CO., LTD.

LEAD VALVE SCIENCE AND
TECHNOLOGY 引领阀门科技



闸阀系列 Gate Valves Series





产品执行标准 Production enforce standard

| 设计与制造 Desing And Manufacture | 结构长度 Face to face/ End to end | 法兰尺寸 Flange Dimension | 对焊连接尺寸 Butt welding dimension | 压力~温度 Pressure Temperature Lating | 试验~检验 Inspection and test |
|------------------------------------|-------------------------------------|--------------------------|-------------------------------------|-----------------------------------------|------------------------------|
| API60 | ANSI B16.10 | ANSI B16.5 | ANSI B16.25 | ANSI B16.34 | API598 |

产品性能规范 Chief property and specification

| 公称压力 (Lb) Nominal Pressore | 强度试验 Shell test | | 水密封试验 Water seal test | | 气密封试验 Air seal test | |
|-------------------------------|-----------------|---------------------|-----------------------|---------------------|---------------------|---------------------|
| | Mpa | Lbf/in ² | Mpa | Lbf/in ² | Mpa | Lbf/in ² |
| 150 | 3.1 | 450 | 2.2 | 315 | 0.5~0.7 | 60~100 |
| 300 | 7.8 | 1125 | 5.6 | 815 | | |
| 600 | 15.3 | 2225 | 11.2 | 1630 | | |
| 900 | 23.1 | 3350 | 16.8 | 2440 | | |
| 1500 | 38.4 | 5575 | 28.1 | 4080 | | |
| 2500 | 64.6 | 9367 | 47.4 | 6873 | | |

主要零件材料及性能 Main part materials and property

| 体、盖、瓣 Body Cover disc | 阀杆 Stem | 密封面 Sealing Face | 垫片(环) Sealing shim | 填料 Packing | 工作温度(°C) Working temperature | 适用介质 Suitable medium |
|--------------------------|----------------------|----------------------------------------------------------------------|----------------------------------------------------------------------------------------------------------------------------------------------------------|-------------------------------------------------------------------------------------------------------|---------------------------------------|----------------------------------------------------|
| WCB | 2Cr13 | 13Cr STL 本体材料 With bodymater rial PTFE 尼龙 Nylon | 增强柔性石墨 13Cr/柔性石墨 Enhanced Flexible graphite 1Cr13/Flexible graphite SFB-2 08软钢 08Soft steel F304 F316 F304L F316L | 柔性石墨 增强柔性石墨 Flexible graphite enhanced flexible graphite SFB/260 SFP/260 PTFE | ≤425 | 水、蒸气、油品 Water Steam Petroleum Products |
| WC1 | 38CrMoAl 25Cr2Mov | | | | ≤450 | |
| WC6 | | | | | ≤540 | |
| WC9 | | | | | ≤570 | |
| C5 C12 | | | | | ≤540 | |
| CF8 | F304 | | | | 硝酸、醋酸、尿素 Nitric acid Aceic acid | |
| CF3 | F316 | | | | | |
| CF8M | F304L | | | | | |
| CF3M | F316L | | | | | |

主要外形和连接尺寸 Main External and Connection Dimension

单位 Unit:mm

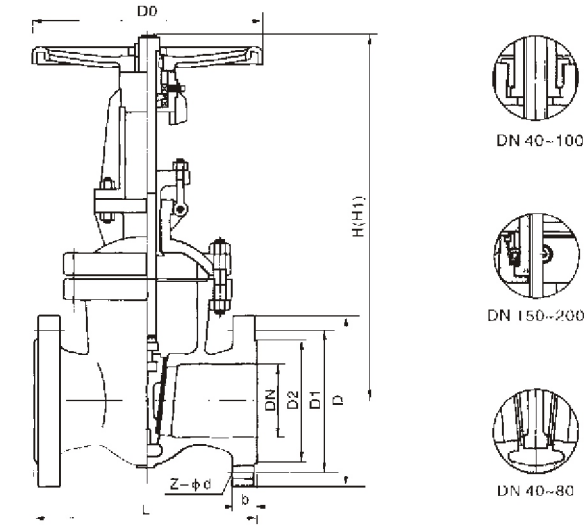
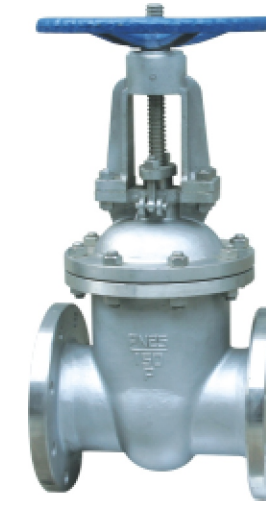
| 磅级 Class | 规格 in | 口径 DN | 单位 Unit | L | H(全开) OPEN | D | D1 | D2 | b | Z-Φd | D0 |
|-------------|----------|----------|------------|--------|---------------|-------|-------|-------|---------|---------|-------|
| 150Lb | 2 | 50 | in | 7.00 | 16.10 | 6.00 | 4.75 | 3.62 | 0.75 | 4-0.75 | 8.00 |
| | | | mm | 178 | 409 | 152 | 120.5 | 92 | 19.1 | 4-19 | 200 |
| | 3 | 80 | in | 8.00 | 20.00 | 7.50 | 6.00 | 5.00 | 0.94 | 4-0.75 | 10.00 |
| | | | mm | 203 | 570 | 90 | 152.5 | 127 | 23.9 | 4-19 | 250 |
| | 4 | 100 | in | 9.00 | 23.20 | 9.00 | 7.50 | 6.19 | 0.94 | 8-0.75 | 10.00 |
| | | | mm | 229 | 590 | 229 | 190.5 | 157 | 23.9 | 8-19 | 250 |
| | 6 | 150 | in | 10.50 | 24.80 | 11.00 | 9.50 | 8.50 | 1.00 | 8-0.88 | 12.00 |
| | | | mm | 267 | 630 | 279 | 241.5 | 216 | 25.4 | 8-22 | 300 |
| | 8 | 200 | in | 11.50 | 37.80 | 13.50 | 11.75 | 10.62 | 1.25 | 8-0.88 | 3.88 |
| | | | mm | 292 | 960 | 343 | 298.5 | 270 | 28.5 | 8-22 | 350 |
| | 10 | 250 | in | 13.00 | 45.60 | 16.00 | 14.25 | 12.75 | 1.19 | 12-1.00 | 15.70 |
| | | | mm | 330 | 1158 | 406 | 362 | 324 | 30.2 | 12-25 | 400 |
| | 12 | 300 | in | 14.00 | 54.30 | 19.00 | 17.00 | 15.00 | 1.25 | 12-1.00 | 17.70 |
| | | | mm | 356 | 1378 | 483 | 432 | 381 | 31.8 | 12-25 | 450 |
| | 14 | 350 | in | 15.00 | 60.75 | 21.00 | 18.75 | 16.25 | 1.38 | 12-1.12 | 19.70 |
| | | | mm | 381 | 1543 | 533 | 476.5 | 413 | 35 | 12-29 | 50 |
| | 16 | 400 | in | 16.00 | 68.40 | 23.50 | 21.25 | 18.50 | 1.44 | 16-1.12 | 23.6 |
| | | | mm | 406 | 1738 | 597 | 539.5 | 470 | 36.6 | 16-29 | 600 |
| | 18 | 450 | in | 17.00 | 74.10 | 25.00 | 22.75 | 21.00 | 1.56 | 16-1.25 | 23.60 |
| | | | mm | 432 | 1959 | 635 | 578 | 533 | 39.7 | 16-32 | 600 |
| | 20 | 500 | in | 18.00 | 87.20 | 27.50 | 25.00 | 23.00 | 1.69 | 20-1.25 | 26.80 |
| | | | mm | 457 | 2214 | 698 | 635 | 584 | 42.9 | 20-32 | 680 |
| | 24 | 600 | in | 20.00 | 102.3 | 32.00 | 29.50 | 27.25 | 1.88 | 20-1.38 | 29.90 |
| | | | mm | 508 | 2599 | 813 | 749.5 | 692 | 47.7 | 20-35 | 760 |
| 30 | 750 | in | 24.00 | 125.3 | 38.75 | 36.00 | 33.75 | 2.94 | 28-1.38 | 36.00 | |
| | | mm | 610 | 3183 | 985 | 914 | 857 | 74.5 | 28-35 | 915 | |
| 36 | 900 | in | 28.00 | 147.00 | 46.00 | 42.75 | 40.25 | 3.56 | 32-1.62 | 36.00 | |
| | | mm | 711 | 3737 | 1170 | 1086 | 1022 | 90.5 | 32.41 | 915 | |

主要外形和连接尺寸 Main External and Connection Dimension

单位 Unit: mm

| 磅级 Class | 规格 in | 通径 DN | 单位 Unit | L | H(全开) OPEN | D | D1 | D2 | b | Z-Φd | D0 |
|----------|-------|-------|---------|--------|------------|-------|-------|-------|---------|---------|------|
| 300Lb | 2 | 50 | in | 8.50 | 16.70 | 6.5 | 5.00 | 3.62 | 0.88 | 8-0.75 | 8.0 |
| | | | mm | 216 | 424 | 165 | 127 | 92 | 22.3 | 8-19 | 200 |
| | 3 | 80 | in | 11.15 | 21.00 | 8.25 | 6.62 | 5.00 | 1.12 | 8-0.88 | 10 |
| | | | mm | 283 | 535 | 210 | 168 | 127 | 28.5 | 8-22 | 250 |
| | 4 | 100 | in | 12.00 | 24.20 | 10.0 | 7.88 | 6.19 | 1.25 | 8-0.88 | 10 |
| | | | mm | 305 | 615 | 254 | 200 | 157 | 31.8 | 8-22 | 250 |
| | 6 | 150 | in | 15.87 | 31.30 | 12.50 | 10.62 | 8.5 | 1.44 | 8-0.88 | 14 |
| | | | mm | 403 | 795 | 318 | 270 | 216 | 36.6 | 12-22 | 350 |
| | 8 | 200 | in | 16.50 | 39.90 | 15.0 | 13.0 | 10.62 | 1.62 | 12-1.0 | 15.7 |
| | | | mm | 419 | 1012 | 381 | 330 | 270 | 41.3 | 12-25 | 400 |
| | 10 | 250 | in | 18.00 | 48.540 | 17.50 | 15.25 | 12.75 | 1.88 | 16-1.12 | 17.7 |
| | | | mm | 457 | 1231 | 444 | 387.5 | 324 | 47.7 | 16-29 | 450 |
| 12 | 300 | in | 19.75 | 57.0 | 20.50 | 17.75 | 15.00 | 2.00 | 16-1.25 | 19.7 | |
| | | mm | 502 | 1450 | 521 | 451 | 381 | 50.8 | 16-32 | 500 | |
| 14 | 350 | in | 30.00 | 64.8 | 23.00 | 20.25 | 16.25 | 2.12 | 20-1.25 | 23.6 | |
| | | mm | 762 | 1645 | 584 | 514.5 | 413 | 54.0 | 20-32 | 600 | |
| 16 | 400 | in | 33.00 | 72.50 | 25.50 | 20.25 | 18.50 | 2.25 | 20-1.38 | 23.6 | |
| | | mm | 838 | 1814 | 648 | 571.5 | 470 | 57.2 | 20-35 | 600 | |
| 18 | 450 | in | 36.00 | 76.50 | 28.00 | 24.75 | 21.00 | 2.38 | 24-1.38 | 26.8 | |
| | | mm | 914 | 1943 | 711 | 628.5 | 533 | 60.4 | 24-35 | 680 | |
| 20 | 500 | in | 39.00 | 84.80 | 30.50 | 27.0 | 23.0 | 2.50 | 24-1.38 | 38 | |
| | | mm | 991 | 2154 | 775 | 686 | 584 | 63.5 | 24-35 | 760 | |
| 24 | 600 | in | 45.00 | 100.50 | 36.0 | 32.0 | 27.25 | 2.75 | 24-1.62 | 36 | |
| | | mm | 1143 | 2553 | 914 | 813 | 692 | 69.9 | 24-41 | 915 | |

| 磅级 Class | 规格 in | 通径 DN | 单位 Unit | L | H(全开) OPEN | D | D1 | D2 | b | Z-Φd | D0 |
|----------|-------|-------|---------|-------|------------|-------|-------|-------|----------|---------|------|
| 600Lb | 2 | 50 | in | 11.50 | 18 | 6.5 | 5.00 | 3.62 | 1.0 | 8-0.75 | 10 |
| | | | mm | 292 | 458 | 165 | 127 | 92 | 25.4 | 8-19 | 250 |
| | 3 | 80 | in | 14.00 | 22.50 | 8.25 | 6.62 | 5.00 | 1.25 | 8-0.88 | 10 |
| | | | mm | 356 | 570 | 210 | 168 | 127 | 31.8 | 8-22 | 250 |
| | 4 | 100 | in | 17.00 | 27.2 | 10.75 | 8.50 | 6.19 | 1.5 | 8-1.0 | 14 |
| | | | mm | 432 | 390 | 273 | 216 | 157 | 38.1 | 8-25 | 350 |
| | 6 | 150 | in | 22 | 35.8 | 14 | 11.50 | 8.50 | 1.88 | 12-1.12 | 18 |
| | | | mm | 559 | 910 | 356 | 292 | 216 | 47.7 | 12-29 | 450 |
| | 8 | 200 | in | 26.00 | 41.9 | 16.5 | 13.75 | 10.62 | 2.19 | 12-1.25 | 19.7 |
| | | | mm | 600 | 1064 | 419 | 349 | 270 | 55.6 | 12-32 | 500 |
| | 10 | 250 | in | 31.00 | 49.5 | 20 | 17.00 | 12.75 | 2.5 | 16-1.38 | 23.6 |
| | | | mm | 787 | 1257 | 508 | 432 | 324 | 63.5 | 16-35 | 600 |
| 12 | 300 | in | 33 | 57.8 | 22 | 19.25 | 15.00 | 2.62 | 20-1.38 | 26.8 | |
| | | mm | 838 | 1468 | 559 | 489 | 381 | 66.7 | 20-35 | 680 | |
| 14 | 350 | in | 35 | 63.9 | 23.75 | 20.75 | 16.25 | 2.75 | 20-1.50 | 26.9 | |
| | | mm | 889 | 1623 | 603 | 527 | 413 | 69.9 | 20-38 | 760 | |
| 16 | 400 | in | 39 | 71.5 | 27 | 23.75 | 18.50 | 3.0 | 20-1.62 | 26.9 | |
| | | mm | 991 | 1816 | 686 | 603 | 470 | 76.2 | 20-41 | 760 | |
| 18 | 450 | in | 43 | 82.7 | 29.25 | 25.75 | 21.00 | 3.25 | 20-10.75 | 36 | |
| | | mm | 1092 | 2100 | 743 | 654 | 533 | 82.6 | 20-45 | 91.5 | |
| 20 | 500 | in | 47 | 88.6 | 32 | 28.5 | 23.00 | 3.5 | 24-1.75 | 37.4 | |
| | | mm | 1194 | 2250 | 813 | 724 | 584 | 88.9 | 24-45 | 950 | |
| 24 | 600 | in | 55 | 107.5 | 37 | 33.0 | 27.25 | 4.0 | 24-2.0 | 39.4 | |
| | | mm | 1397 | 2730 | 940 | 838 | 692 | 102 | 24-51 | 1000 | |



产品执行标准 Production enforce standard

| 产品规范 Product specification | 设计规范 Design spec | 结构长度 Face to face | 连接法兰 Flange end | 试验与检验 Test & check | 压力-温度 Pressure-temp | 产品标识 Marking |
|----------------------------|------------------|-------------------|-----------------|--------------------|---------------------|--------------|
| | GB/T12234 | JB/T7746 | JB/T79 | GB/T13927-92 | GB/T9131 | GB/T12220 |

产品性能规范 Chief property and specification

1、试验压力 Test pressure

| 公称压力 PN(MPa) Nominal pressure | 壳体 Shell | 试验压力(MPa) Test pressure | | 上密封 Back seat |
|-------------------------------|----------|-------------------------|-----------|---------------|
| | | 密封(液)Seal | 密封(气)Seal | |
| 1.6 | 2.4 | 1.8 | 0.6 | 1.8 |
| 2.5 | 3.8 | 2.8 | 0.6 | 2.8 |
| 4.0 | 6.0 | 4.4 | 0.6 | 4.4 |
| 6.4 | 9.6 | 7.0 | 0.6 | 7.0 |
| 10.0 | 15.0 | 11.0 | 0.6 | 11.0 |
| 16.0 | 24.0 | 18.0 | 0.6 | 18.0 |

2、适用介质及适用温度

Applicable medium & Applicable temperature

| 壳体材料 Shell material | 适用介质 Applicable medium | 适用温度℃ Applicable temperature |
|---------------------|---------------------------------|------------------------------|
| 碳素钢(C型) | 水、蒸汽、油品 Water, steam, oil goods | ≤425 |
| 铬镍钛钢(P型) | 硝酸类 Nitric acid | ≤200 |
| 铬镍钼钛钢(R型) | 醋酸类 Acetic acid | ≤200 |
| 铬钼钢(I型) | 水、蒸汽、油品 Water, steam, oil goods | ≤550 |

主要零件材料 Material for main parts

| 阀体、阀盖 Body bonnet | 阀板、阀座 Wedge disc, seat ring | 阀杆 Stem | 阀杆螺母 Yoke nut | 填料 Packing | 手轮 Hand wheel |
|-------------------------|------------------------------------------------------------------------|----------------------------------|---------------|----------------------------------------|--------------------------|
| 碳素钢 Carburizing steel | 优质碳钢+硬质合金或不锈钢 High-grade carbon steel+carbide alloy or stainless steel | 铬不锈钢 Cr. stainless steel | 铝青铜 Al bronze | 石墨石棉盘根 Graphite asbestos coils | 可锻铸铁 Foraeable cast-iron |
| 铬镍钛钢 Cr.Ni, steel | 不锈钢、不锈钢+硬质合金 Stainless steel or+carbide alloy | 铬镍钛不锈钢 Cr.Ni.Ti stainless steel | 铝青铜 Al bronze | 浸聚四氟乙烯 Dipping polytetrafluoroethylene | 可锻铸铁 Foraeable cast-iron |
| 铬镍铜钛钢 Cr.Ni.Mo.Ti steel | 不锈钢、不锈钢+硬质合金 Stainless steel or+carbide alloy | 铬镍钼钛不锈钢 Cr.Ni.Ti stainless steel | 铝青铜 Al bronze | 烯石棉盘根 Asbestos coil | 可锻铸铁 Foraeable cast-iron |
| 铬钼钢 Cr.Mo steel | 合金钢+硬质合金 Alloy steel+carbide alloy | 铬钼钼钢 Cr.Mo Ai steel | 铝青铜 Al bronze | 柔性石墨 Flexibie graphite | 可锻铸铁 Foraeable cast-iron |

主要外形和连接尺寸 Main External and Connection Dimension

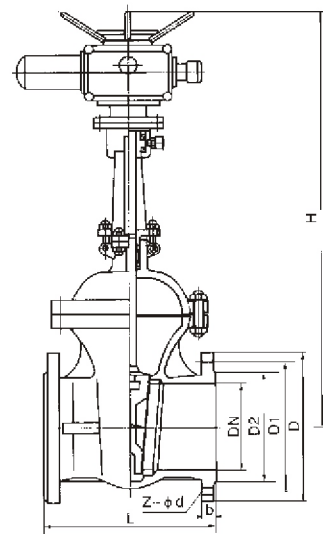
单位 Unit:mm

| 公称通径 DN | 主要外形尺寸和连接尺寸 (mm) Main external and connecting dimensions | | | | | | | | | | WT (kg) | |
|------------|----------------------------------------------------------|------------------|------------------|------------------|------------------|------------------|---------|------|------|-----|------------|--|
| | L | D | D1 | D2 | b | f | Z-d | H | H1 | Do | | |
| | Z40H Z41Y-16 | Z40Y Z41Y-16P | Z40Y Z41Y-16R | Z40W Z41W-16P | Z40W Z41W-16R | Z40Y Z41Y-16I | (KZ41Y) | | | | | |
| 15 | 130 | 95 | 65 | 45 | 14 | 2 | 4-14 | 220 | 240 | 120 | 4 | |
| 20 | 150 | 105 | 75 | 55 | 14 | 2 | 4-14 | 255 | 284 | 140 | 5 | |
| 25 | 160 | 115 | 85 | 65 | 14 | 2 | 4-14 | 275 | 303 | 160 | 6 | |
| 32 | 180 | 135 | 100 | 78 | 16 | 2 | 4-18 | 280 | 321 | 180 | 7 | |
| 40 | 200 | 145 | 110 | 85 | 16 | 3 | 4-18 | 300 | 352 | 200 | 18 | |
| 50 | 250 | 160 | 125 | 100 | 16 | 3 | 4-18 | 358 | 438 | 240 | 29 | |
| 65 | 265 | 180 | 145 | 120 | 18 | 3 | 4-18 | 375 | 450 | 240 | 33 | |
| 80 | 280 | 195 | 160 | 135 | 20 | 3 | 8-18 | 438 | 528 | 280 | 46 | |
| 100 | 300 | 215 | 180 | 155 | 20 | 3 | 8-18 | 502 | 620 | 320 | 63 | |
| 125 | 325 | 245 | 210 | 185 | 22 | 3 | 8-18 | 612 | 753 | 360 | 108 | |
| 150 | 350 | 280 | 240 | 210 | 24 | 3 | 8-23 | 676 | 847 | 360 | 134 | |
| 200 | 400 | 335 | 295 | 265 | 26 | 3 | 12-23 | 820 | 1039 | 400 | 192 | |
| 250 | 450 | 405 | 355 | 320 | 30 | 3 | 12-25 | 969 | 1245 | 450 | 273 | |
| 300 | 500 | 460 | 410 | 375 | 30 | 3 | 12-25 | 1142 | 1472 | 560 | 379 | |
| 350 | 550 | 520 | 470 | 435 | 34 | 4 | 16-25 | 1280 | 1450 | 640 | 590 | |
| 400 | 600 | 580 | 525 | 485 | 36 | 4 | 16-30 | 1452 | 1887 | 640 | 850 | |
| 450 | 650 | 640 | 585 | 545 | 40 | 4 | 20-30 | 1541 | 2011 | 720 | 907 | |
| 500 | 700 | 705 | 650 | 608 | 44 | 4 | 20-34 | 1676 | 2181 | 720 | 958 | |
| 600 | 800 | 840 | 770 | 718 | 48 | 5 | 20-41 | 1874 | 2346 | 800 | 1112 | |
| | Z40H Z41Y-25 | Z40Y Z41Y-25P | Z40Y Z41Y-25R | Z40W Z41W-25P | Z40W Z41W-25R | Z40Y Z41Y-25I | (KZ41Y) | | | | | |
| 15 | 130 | 95 | 65 | 45 | 16 | 2 | 4-14 | 220 | 240 | 120 | 4 | |
| 20 | 150 | 105 | 75 | 55 | 16 | 2 | 4-14 | 255 | 284 | 140 | 5 | |
| 25 | 160 | 115 | 85 | 65 | 16 | 2 | 4-14 | 275 | 303 | 160 | 6 | |
| 32 | 180 | 135 | 100 | 78 | 18 | 2 | 4-18 | 280 | 321 | 180 | 7 | |
| 40 | 200 | 145 | 110 | 85 | 18 | 3 | 4-18 | 300 | 352 | 200 | 18 | |
| 50 | 250 | 160 | 125 | 100 | 20 | 3 | 4-18 | 358 | 438 | 240 | 28 | |
| 65 | 265 | 180 | 145 | 120 | 22 | 3 | 8-18 | 375 | 450 | 240 | 33 | |
| 80 | 280 | 195 | 160 | 135 | 22 | 3 | 8-18 | 433 | 528 | 280 | 46 | |
| 100 | 300 | 230 | 190 | 160 | 24 | 3 | 8-23 | 502 | 620 | 320 | 64 | |
| 125 | 325 | 270 | 220 | 188 | 28 | 3 | 8-25 | 612 | 753 | 360 | 116 | |
| 150 | 350 | 300 | 250 | 218 | 30 | 3 | 8-25 | 676 | 847 | 360 | 141 | |
| 200 | 400 | 360 | 310 | 278 | 34 | 3 | 12-25 | 820 | 1039 | 400 | 213 | |
| 250 | 450 | 425 | 370 | 332 | 36 | 3 | 12-30 | 969 | 1245 | 450 | 290 | |
| 300 | 500 | 485 | 430 | 390 | 40 | 4 | 16-30 | 1142 | 1472 | 560 | 400 | |
| 350 | 550 | 550 | 490 | 448 | 44 | 4 | 16-34 | 1280 | 1450 | 640 | 631 | |
| 400 | 600 | 610 | 550 | 505 | 48 | 4 | 16-34 | 1452 | 1887 | 640 | 900 | |
| 450 | 650 | 660 | 600 | 555 | 50 | 4 | 20-34 | 1541 | 2011 | 720 | 1013 | |
| 500 | 700 | 730 | 660 | 610 | 52 | 4 | 20-41 | 1676 | 2181 | 720 | 1166 | |
| 600 | 800 | 840 | 770 | 718 | 56 | 5 | 20-41 | 1874 | 2346 | 800 | 1258 | |

主要外形和连接尺寸 Main External and Connection Dimension

单位 Unit:mm

| 公称通径 DN | 主要外形尺寸和连接尺寸 (mm) Main external and connecting dimensions | | | | | | | | | | | | WT (kg) |
|------------|----------------------------------------------------------|-------------------|-------------------|-------------------|-------------------|-------------------|---------|-----|-------|------|------|-----|------------|
| | L | D | D1 | D2 | D6 | b | f | f2 | Z-d | H | H1 | Do | |
| | Z40H Z41Y-40 | Z40H Z41Y-40P | Z40H Z41Y-40R | Z40W Z41W-40P | Z40W Z41W-40R | Z40Y Z41Y-40 | (KZ41Y) | | | | | | |
| 20 | 150 | 105 | 75 | 55 | 51 | 16 | 2 | 4 | 4-14 | 256 | 285 | 140 | 8 |
| 25 | 160 | 115 | 85 | 65 | 58 | 16 | 2 | 4 | 4-14 | 275 | 305 | 160 | 9.3 |
| 32 | 180 | 135 | 100 | 78 | 66 | 18 | 2 | 4 | 4-18 | 287 | 322 | 180 | 12 |
| 40 | 200 | 145 | 110 | 85 | 76 | 18 | 3 | 4 | 4-18 | 323 | 369 | 200 | 16.5 |
| 50 | 250 | 160 | 125 | 100 | 88 | 20 | 3 | 4 | 4-18 | 372 | 440 | 280 | 29 |
| 65 | 280 | 180 | 145 | 120 | 110 | 22 | 3 | 4 | 8-18 | 395 | 473 | 280 | 39 |
| 80 | 310 | 195 | 160 | 135 | 121 | 22 | 3 | 4 | 8-18 | 457 | 552 | 320 | 52 |
| 100 | 350 | 230 | 190 | 160 | 150 | 24 | 3 | 4.5 | 8-23 | 552 | 671 | 360 | 80 |
| 125 | 400 | 270 | 220 | 188 | 176 | 28 | 3 | 4.5 | 8-25 | 634 | 726 | 400 | 127 |
| 150 | 450 | 300 | 250 | 218 | 204 | 30 | 3 | 4.5 | 8-25 | 708 | 883 | 400 | 154 |
| 200 | 550 | 375 | 320 | 282 | 260 | 38 | 3 | 4.5 | 12-30 | 858 | 1086 | 450 | 263 |
| 250 | 650 | 445 | 385 | 345 | 313 | 42 | 3 | 4.5 | 12-34 | 1015 | 1298 | 560 | 368 |
| 300 | 750 | 510 | 450 | 408 | 364 | 46 | 4 | 4.5 | 16-34 | 1203 | 1535 | 640 | 547 |
| 350 | 850 | 570 | 510 | 465 | 422 | 52 | 4 | 5 | 16-34 | 1341 | 1678 | 640 | 679 |
| 400 | 950 | 665 | 585 | 535 | 474 | 58 | 4 | 5 | 16-41 | 1492 | 1903 | 720 | 953 |
| | Z40H Z41Y-64 | Z40Y Z41Y-64P | Z40Y Z41Y-64R | Z40W Z41W-64P | Z40W Z41W-64R | Z40Y Z41Y-64I | (KZ41Y) | | | | | | |
| 20 | 190 | 125 | 90 | 68 | 51 | 20 | 2 | 4 | 4-18 | 258 | 288 | 180 | 8 |
| 25 | 210 | 135 | 100 | 78 | 58 | 22 | 2 | 4 | 4-18 | 310 | 341 | 200 | 12 |
| 32 | 230 | 150 | 110 | 82 | 66 | 24 | 2 | 4 | 4-23 | 320 | 353 | 200 | 25 |
| 40 | 240 | 165 | 125 | 95 | 76 | 24 | 3 | 4 | 4-23 | 360 | 389 | 240 | 29 |
| 50 | 250 | 175 | 135 | 105 | 88 | 26 | 3 | 4 | 4-23 | 372 | 448 | 280 | 34 |
| 65 | 280 | 200 | 160 | 130 | 110 | 28 | 3 | 4 | 8-23 | 395 | 475 | 280 | 43 |
| 80 | 310 | 210 | 170 | 140 | 121 | 30 | 3 | 4 | 8-23 | 458 | 553 | 320 | 60 |
| 100 | 350 | 250 | 200 | 168 | 150 | 32 | 3 | 4.5 | 8-25 | 553 | 679 | 360 | 89 |
| 125 | 400 | 295 | 240 | 202 | 176 | 36 | 3 | 4.5 | 8-30 | 638 | 779 | 400 | 140 |
| 150 | 450 | 340 | 280 | 240 | 204 | 38 | 3 | 4.5 | 8-34 | 718 | 893 | 450 | 207 |
| 200 | 550 | 405 | 345 | 300 | 260 | 44 | 3 | 4.5 | 12-34 | 873 | 1100 | 560 | 325 |
| 250 | 650 | 470 | 400 | 352 | 313 | 48 | 3 | 4.5 | 12-41 | 1053 | 1332 | 640 | 467 |
| 300 | 750 | 530 | 460 | 412 | 364 | 54 | 4 | 4.5 | 16-41 | 1203 | 1535 | 640 | 590 |
| | Z40H Z41Y-100 | Z40Y Z41Y-100P | Z40Y Z41Y-100R | Z40W Z41W-100P | Z40W Z41W-100R | Z40Y Z41Y-100I | (KZ41Y) | | | | | | |
| 25 | 210 | 135 | 100 | 78 | 58 | 24 | 2 | 4 | 4-18 | 310 | 341 | 200 | 12 |
| 32 | 230 | 150 | 110 | 82 | 66 | 24 | 2 | 4 | 4-18 | 320 | 353 | 240 | 20 |
| 40 | 240 | 165 | 125 | 95 | 76 | 26 | 3 | 4 | 4-23 | 360 | 389 | 280 | 51 |
| 50 | 250 | 195 | 145 | 112 | 88 | 28 | 3 | 4 | 4-23 | 490 | 558 | 360 | 60 |
| 65 | 280 | 220 | 170 | 138 | 110 | 32 | 3 | 4 | 8-25 | 540 | 622 | 400 | 70 |
| 80 | 310 | 230 | 180 | 148 | 121 | 34 | 3 | 4 | 8-25 | 573 | 671 | 400 | 89 |
| 100 | 350 | 265 | 210 | 172 | 150 | 38 | 3 | 4.5 | 8-30 | 575 | 671 | 400 | 130 |
| 125 | 400 | 310 | 250 | 210 | 176 | 42 | 3 | 4.5 | 8-34 | 744 | 892 | 560 | 223 |
| 150 | 450 | 350 | 290 | 250 | 204 | 46 | 3 | 4.5 | 12-34 | 800 | 972 | 560 | 295 |
| 200 | 550 | 430 | 360 | 312 | 260 | 54 | 3 | 4.5 | 12-41 | 800 | 972 | 560 | 559 |
| 250 | 650 | 500 | 430 | 382 | 313 | 60 | 3 | 4.5 | 12-41 | 1050 | 1305 | 640 | 640 |
| 300 | 750 | 585 | 500 | 442 | 364 | 70 | 4 | 4.5 | 16-48 | 1208 | 1506 | 640 | 730 |
| | Z40H Z41Y-160 | Z40Y Z41Y-160P | Z40Y Z41Y-160R | Z40W Z41W-160P | Z40W Z41W-160R | Z40Y Z41Y-160I | (KZ41Y) | | | | | | |
| 15 | 170 | 110 | 75 | 52 | 40 | 24 | 2 | 4 | 4-18 | 230 | 250 | 200 | 8 |
| 20 | 190 | 130 | 90 | 62 | 51 | 26 | 2 | 4 | 4-23 | 260 | 288 | 200 | 9 |
| 25 | 210 | 140 | 100 | 72 | 58 | 28 | 2 | 4 | 4-23 | 280 | 310 | 280 | 13 |
| 32 | 230 | 165 | 115 | 85 | 66 | 30 | 2 | 4 | 4-25 | 312 | 350 | 320 | 20 |
| 40 | 240 | 175 | 125 | 92 | 76 | 32 | 3 | 4 | 4-27 | 350 | 395 | 320 | 32 |
| 50 | 300 | 215 | 165 | 132 | 88 | 36 | 3 | 4 | 8-25 | 512 | 612 | 360 | 73 |
| 65 | 340 | 245 | 190 | 152 | 110 | 44 | 3 | 4 | 8-30 | 560 | 677 | 360 | 110 |
| 80 | 390 | 260 | 205 | 168 | 121 | 46 | 3 | 4 | 8-30 | 585 | 686 | 400 | 141 |
| 100 | 450 | 300 | 240 | 200 | 150 | 48 | 3 | 4.5 | 8-34 | 631 | 751 | 450 | 185 |
| 125 | 525 | 355 | 285 | 238 | 176 | 60 | 3 | 4.5 | 8-41 | 723 | 868 | 560 | 320 |
| 150 | 600 | 390 | 318 | 270 | 204 | 66 | 3 | 4.5 | 12-41 | 820 | 997 | 640 | 462 |
| 200 | 750 | 480 | 400 | 345 | 250 | 78 | 3 | 4.5 | 12-48 | 990 | 1224 | 720 | 711 |



主要外形和连接尺寸 Main External and Connection Dimension

单位Unit:mm

| 公称通径 DN | 主要外形尺寸和连接尺寸 (mm) Main external and connecting dimensions | | | | | | | | 电动装置 Electric device | WT(Kg) |
|------------|----------------------------------------------------------|-------------------|-------------------|-------------------|-------------------|-------------------|-------|------|-------------------------|--------|
| | L | D | D1 | D2 | b | f | Z-d | H | | |
| | Z940H Z941Y-16C | Z940 Z941Y-16P | Z940 Z941Y-16R | Z940 Z941W-16P | Z940 Z941W-16R | Z940 Z941Y-16I | | | | |
| 40 | 200 | 145 | 110 | 85 | 16 | 3 | 4-18 | 595 | DZW15 | 56 |
| 50 | 250 | 160 | 125 | 100 | 16 | 3 | 4-18 | 653 | DZW20 | 59 |
| 65 | 265 | 180 | 145 | 120 | 18 | 3 | 4-18 | 665 | DZW20 | 62 |
| 80 | 280 | 195 | 160 | 135 | 20 | 3 | 8-18 | 725 | DZW20 | 74 |
| 100 | 300 | 215 | 180 | 155 | 20 | 3 | 8-18 | 787 | DZW20 | 92 |
| 150 | 350 | 280 | 240 | 210 | 24 | 3 | 8-23 | 955 | DZW30 | 161 |
| 200 | 400 | 335 | 295 | 265 | 26 | 3 | 12-23 | 1105 | DZW30 | 219 |
| 250 | 450 | 405 | 355 | 320 | 30 | 3 | 12-25 | 1343 | DZW45 | 376 |
| 300 | 500 | 460 | 410 | 375 | 30 | 3 | 12-25 | 1516 | DZW60 | 484 |
| 350 | 550 | 520 | 470 | 435 | 34 | 4 | 16-25 | 1678 | DZW60 | 695 |
| 400 | 600 | 580 | 525 | 485 | 36 | 4 | 16-30 | 1849 | DZW90 | 977 |
| 450 | 650 | 640 | 585 | 545 | 40 | 4 | 20-30 | 1937 | DZW90 | 1033 |
| 500 | 700 | 705 | 650 | 608 | 44 | 4 | 20-34 | 2234 | DZW120 | 1087 |
| 600 | 800 | 840 | 770 | 718 | 48 | 5 | 20-41 | 3432 | DZW180 | 1357 |
| 700 | 900 | 910 | 840 | 788 | 50 | 5 | 24-41 | 2489 | DZW250 | 1481 |
| 800 | 1000 | 1020 | 950 | 898 | 52 | 5 | 24-41 | 2643 | DZW350 | 1845 |

注: DN700、DN800的型号为Z942型。Note: DN700, DN800 type is Z942.

主要外形和连接尺寸 Main External and Connection Dimension

单位Unit:mm

| 公称通径 DN | 主要外形尺寸和连接尺寸 (mm) Main external and connecting dimensions | | | | | | | | 电动装置 Electric device | WT (Kg) |
|------------|----------------------------------------------------------|-------------------|-------------------|-------------------|-------------------|-------------------|-------|------|-------------------------|---------|
| | L | D | D1 | D2 | b | f | Z-d | H | | |
| | Z940H Z941Y-25C | Z940 Z941Y-25P | Z940 Z941Y-25R | Z940 Z941W-25P | Z940 Z941W-25R | Z940 Z941Y-25I | | | | |
| 40 | 200 | 145 | 110 | 85 | 18 | 3 | 4-18 | 595 | DZW15 | 60 |
| 50 | 250 | 160 | 125 | 100 | 20 | 3 | 4-18 | 653 | DZW20 | 64 |
| 65 | 265 | 180 | 145 | 120 | 22 | 3 | 8-18 | 665 | DZW20 | 65 |
| 80 | 280 | 195 | 160 | 135 | 22 | 3 | 8-18 | 725 | DZW20 | 79 |
| 100 | 300 | 230 | 190 | 160 | 24 | 3 | 8-23 | 787 | DZW20 | 98 |
| 125 | 325 | 270 | 220 | 188 | 28 | 3 | 8-25 | 902 | DZW30 | 154 |
| 150 | 350 | 300 | 250 | 218 | 30 | 3 | 8-25 | 955 | DZW30 | 168 |
| 200 | 400 | 360 | 310 | 278 | 34 | 3 | 12-25 | 1105 | DZW45 | 219 |
| 250 | 425 | 425 | 370 | 332 | 36 | 3 | 12-30 | 1343 | DZW45 | 390 |
| 300 | 450 | 485 | 430 | 390 | 40 | 4 | 12-30 | 1516 | DZW60 | 505 |
| 350 | 550 | 550 | 490 | 448 | 44 | 4 | 16-30 | 1678 | DZW60 | 736 |
| 400 | 600 | 610 | 550 | 505 | 48 | 4 | 16-34 | 1849 | DZW90 | 1027 |
| 450 | 650 | 660 | 600 | 555 | 50 | 4 | 16-34 | 1937 | DZW90 | 1139 |
| 500 | 700 | 730 | 660 | 610 | 52 | 4 | 20-34 | 2234 | DZW120 | 1228 |
| 600 | 800 | 840 | 770 | 718 | 56 | 5 | 20-41 | 2432 | DZW180 | 1502 |
| 700 | 900 | 955 | 875 | 815 | 60 | 5 | 20-41 | 2489 | DZW250 | 1617 |
| 800 | 1000 | 1070 | 990 | 930 | 64 | 5 | 24-48 | 2643 | DZW350 | 1923 |

注: DN700、DN800的型号为Z942型。Note: DN700, DN800 type is Z942.

主要外形和连接尺寸 Main External and Connection Dimension

单位Unit:mm

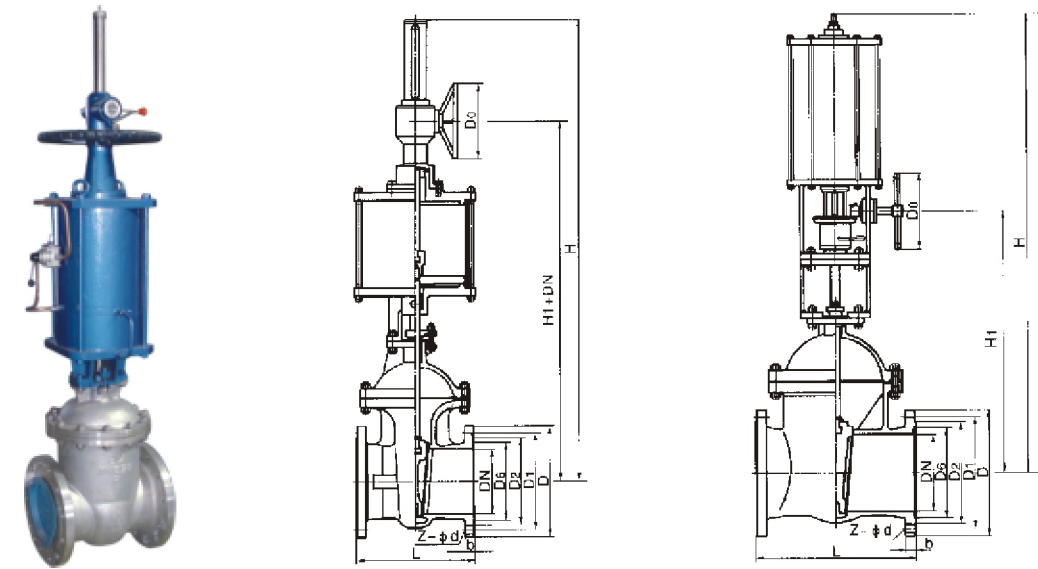
| 公称通径 DN | 主要外形尺寸和连接尺寸 (mm) Main external and connecting dimensions | | | | | | | | | | 电动装置 Electric device | WT (Kg) |
|------------|----------------------------------------------------------|-------------------|-------------------|-------------------|-------------------|-------------------|-------|---|-----|------|-------------------------|---------|
| | L | D | D1 | D2 | D6 | b | Z-d | f | f2 | H | | |
| | Z940H Z941Y-40 | Z940 Z941Y-40P | Z940 Z941Y-40R | Z940 Z941W-40P | Z940 Z941W-40R | Z940 Z941Y-40I | | | | | | |
| 40 | 200 | 145 | 110 | 85 | 76 | 18 | 4-18 | 3 | 4 | 617 | DZW15 | 46 |
| 50 | 250 | 160 | 125 | 100 | 88 | 20 | 4-18 | 3 | 4 | 665 | DZW20 | 58 |
| 65 | 280 | 180 | 145 | 120 | 110 | 22 | 8-18 | 3 | 4 | 680 | DZW20 | 68 |
| 80 | 310 | 195 | 160 | 135 | 121 | 22 | 8-18 | 3 | 4 | 752 | DZW20 | 80 |
| 100 | 350 | 230 | 190 | 160 | 150 | 24 | 8-23 | 3 | 4.5 | 846 | DZW30 | 108 |
| 150 | 450 | 300 | 250 | 218 | 204 | 30 | 8-25 | 3 | 4.5 | 1087 | DZW45 | 258 |
| 200 | 550 | 375 | 320 | 282 | 260 | 38 | 12-30 | 3 | 4.5 | 1243 | DZW45 | 366 |
| 250 | 650 | 445 | 385 | 345 | 313 | 42 | 12-34 | 3 | 4.5 | 1429 | DZW60 | 472 |
| 300 | 750 | 510 | 450 | 408 | 364 | 46 | 16-34 | 4 | 4.5 | 1608 | DZW90 | 673 |
| 350 | 850 | 570 | 510 | 465 | 422 | 52 | 16-34 | 4 | 5 | 1738 | DZW90 | 804 |
| 400 | 950 | 655 | 585 | 535 | 474 | 58 | 16-41 | 4 | 5 | 1897 | DZW120 | 1081 |
| 450 | 1050 | 680 | 610 | 560 | 524 | 60 | 20-41 | 4 | 5 | 2104 | DZW180 | 1259 |
| 500 | 1150 | 755 | 670 | 612 | 576 | 62 | 20-48 | 4 | 5 | 2401 | DZW180 | 1348 |

主要外形和连接尺寸 Main External and Connection Dimension

单位 Unit: mm

| 公称通径 DN | 主要外形尺寸和连接尺寸 (mm) Main external and connecting dimensions | | | | | | | | | | 电动装置 Electric device | WT (Kg) |
|------------|----------------------------------------------------------|--------------------|--------------------|--------------------|--------------------|--------------------|-------|----|-----|------|-------------------------|------------|
| | L | D | D1 | D2 | D6 | b | Z-d | f1 | f2 | H | | |
| | Z940H Z941Y-64 | Z940 Z941Y-64P | Z940 Z941Y-64R | Z940 Z941W-64P | Z940 Z941W-64R | Z940 Z941Y-64I | | | | | | |
| 50 | 250 | 175 | 135 | 105 | 88 | 26 | 4-23 | 3 | 4 | 667 | DZW20 | 68 |
| 65 | 280 | 200 | 160 | 130 | 110 | 28 | 8-23 | 3 | 4 | 685 | DZW20 | 72 |
| 80 | 310 | 210 | 170 | 140 | 121 | 30 | 8-23 | 3 | 4 | 748 | DZW30 | 88 |
| 100 | 350 | 250 | 200 | 168 | 150 | 32 | 8-25 | 3 | 4.5 | 845 | DZW30 | 117 |
| 150 | 450 | 340 | 280 | 240 | 204 | 88 | 8-34 | 3 | 4.5 | 1009 | DZW45 | 314 |
| 200 | 550 | 405 | 345 | 300 | 260 | 44 | 12-34 | 3 | 4.5 | 1253 | DZW60 | 432 |
| 250 | 650 | 470 | 400 | 345 | 313 | 48 | 12-41 | 3 | 4.5 | 1449 | DZW60 | 595 |
| 300 | 750 | 530 | 460 | 412 | 361 | 54 | 16-41 | 4 | 4.5 | 1867 | DZW90 | 721 |
| 350 | 850 | 595 | 525 | 475 | 422 | 60 | 16-41 | 4 | 5 | 1931 | DZW120 | 863 |
| 400 | 950 | 670 | 585 | 525 | 474 | 66 | 16-48 | 4 | 5 | 2017 | DZW180 | 1129 |
| 500 | 1150 | 800 | 705 | 640 | 576 | 70 | 20-54 | 4 | 5 | 2459 | DZW250 | 1493 |
| | Z940H Z941Y-100 | Z940 Z941Y-100P | Z940 Z941Y-100R | Z940 Z941W-100P | Z940 Z941W-100R | Z940 Z941Y-100I | | | | | | |
| 50 | 250 | 195 | 145 | 112 | 88 | 28 | 4-25 | 3 | 4 | 781 | DZW20 | 78 |
| 65 | 280 | 220 | 170 | 138 | 110 | 32 | 8-25 | 3 | 4 | 830 | DZW20 | 96 |
| 80 | 310 | 230 | 180 | 148 | 121 | 34 | 8-25 | 3 | 4 | 865 | DZW30 | 126 |
| 100 | 350 | 265 | 210 | 172 | 150 | 38 | 8-30 | 3 | 4.5 | 1179 | DZW30 | 134 |
| 150 | 450 | 350 | 290 | 250 | 204 | 46 | 12-34 | 3 | 4.5 | 1201 | DZW60 | 352 |
| 200 | 550 | 430 | 360 | 312 | 260 | 54 | 12-41 | 3 | 4.5 | 1611 | DZW90 | 484 |
| 250 | 650 | 500 | 430 | 382 | 313 | 60 | 12-41 | 3 | 4.5 | 1903 | DZW90 | 608 |
| 300 | 750 | 585 | 500 | 442 | 364 | 70 | 16-48 | 4 | 4.5 | 2054 | DZW120 | 757 |
| 350 | 850 | 655 | 560 | 498 | 422 | 76 | 16-54 | 4 | 5 | 2132 | DZW180 | 994 |
| 400 | 950 | 715 | 620 | 558 | 474 | 80 | 16-54 | 4 | 5 | 2321 | DZW250 | 1269 |
| | Z940H Z941Y-160 | Z940 Z941Y-160P | Z940 Z941Y-160R | Z940 Z941W-160P | Z940 Z941W-160R | Z940 Z941Y-160I | | | | | | |
| 50 | 300 | 215 | 165 | 132 | 88 | 36 | 8-25 | 3 | 4 | 905 | DZW20 | 101 |
| 65 | 340 | 245 | 190 | 152 | 110 | 44 | 8-30 | 3 | 4 | 968 | DZW20 | 137 |
| 80 | 390 | 260 | 205 | 168 | 121 | 46 | 8-30 | 3 | 4 | 978 | DZW30 | 167 |
| 100 | 450 | 300 | 240 | 200 | 150 | 48 | 8-34 | 3 | 4.5 | 1043 | DZW30 | 211 |
| 125 | 525 | 355 | 285 | 238 | 176 | 60 | 8-41 | 3 | 4.5 | 1248 | DZW60 | 424 |
| 150 | 600 | 390 | 318 | 270 | 204 | 66 | 12-41 | 3 | 4.5 | 1394 | DZW90 | 588 |
| 200 | 750 | 480 | 400 | 345 | 250 | 78 | 12-48 | 3 | 4.5 | 1621 | DZW120 | 839 |

注: 根据用户需要可提供气动和齿轮传动闸阀产品。
Note: Both pneumatic and gear driving gate valves can be supplied per users' requirement.



主要外形和连接尺寸 Main External and Connection Dimension

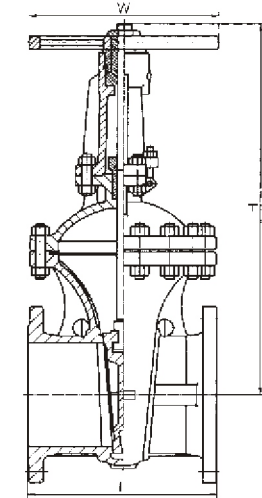
单位 Unit: mm

| 公称通径 DN | 主要外形尺寸和连接尺寸 (mm) Main external and connecting dimensions | | | | | | | | | WT (kg) |
|------------|----------------------------------------------------------|------|------|------|----|--------|------|------|-----|------------|
| | L | D | D1 | D2 | b | Z-φd | H | H1 | D0 | |
| | CZ6s40H-16C CZ6s40Y-16P CZs40Y-16R | | | | | | | | | |
| 50 | 250 | 160 | 125 | 100 | 16 | 4-φ18 | 950 | 570 | 180 | 38 |
| 65 | 270 | 180 | 145 | 120 | 18 | 4-φ18 | 1050 | 596 | 180 | 53 |
| 80 | 280 | 195 | 160 | 135 | 20 | 8-φ18 | 1080 | 635 | 200 | 72 |
| 100 | 300 | 215 | 180 | 155 | 20 | 8-φ18 | 1145 | 645 | 250 | 90 |
| 125 | 325 | 245 | 210 | 185 | 22 | 8-φ18 | 1210 | 685 | 250 | 120 |
| 150 | 350 | 280 | 240 | 210 | 24 | 8-φ18 | 1300 | 720 | 320 | 132 |
| 200 | 400 | 335 | 295 | 265 | 26 | 12-φ23 | 1660 | 940 | 400 | 258 |
| 250 | 450 | 405 | 355 | 320 | 30 | 12-φ25 | 1790 | 1020 | 400 | 297 |
| 300 | 500 | 460 | 410 | 375 | 30 | 12-φ25 | 1990 | 1150 | 450 | 420 |
| 350 | 550 | 520 | 470 | 435 | 34 | 16-φ25 | 2090 | 1170 | 450 | 558 |
| 400 | 600 | 580 | 525 | 485 | 36 | 16-φ30 | 2290 | 1325 | 500 | 540 |
| 450 | 650 | 640 | 585 | 545 | 40 | 20-φ30 | 2485 | 1465 | 500 | 1110 |
| 500 | 700 | 705 | 650 | 608 | 44 | 20-φ34 | 2640 | 1590 | 550 | 1380 |
| 600 | 800 | 840 | 770 | 718 | 48 | 20-φ41 | 2940 | 1720 | 550 | 1620 |
| 700 | 900 | 910 | 840 | 788 | 50 | 24-φ41 | 3450 | 1960 | 600 | 1966 |
| 800 | 1000 | 1020 | 950 | 898 | 52 | 24-φ41 | 3650 | 2190 | 600 | 2282 |
| 900 | 1100 | 1120 | 1050 | 998 | 54 | 28-φ41 | 3815 | 2400 | 800 | 2495 |
| 1000 | 1200 | 1255 | 1170 | 1110 | 56 | 28-φ48 | 4000 | 2650 | 800 | 2760 |

主要外形和连接尺寸 Main External and Connection Dimension

单位 Unit: mm

| 公称通径 DN | 主要外形尺寸和连接尺寸 (mm) Main external and connecting dimensions | | | | | | | | | WT (kg) |
|------------|----------------------------------------------------------|------|------|------|----|-------|------|------|-----|------------|
| | L | D | D1 | D2 | b | Z-φd | H | H1 | D0 | |
| | CZ6s40H-25 CZ6s40Y-25P CZ6s40Y-25R | | | | | | | | | |
| 50 | 250 | 160 | 125 | 100 | 20 | 4-18 | 950 | 570 | 180 | 38 |
| 65 | 270 | 180 | 145 | 120 | 22 | 8-18 | 1050 | 596 | 180 | 55 |
| 80 | 280 | 195 | 160 | 135 | 22 | 8-18 | 1080 | 635 | 200 | 76 |
| 100 | 300 | 230 | 190 | 160 | 24 | 8-23 | 1145 | 645 | 250 | 94 |
| 125 | 325 | 270 | 220 | 188 | 28 | 8-25 | 1210 | 685 | 250 | 126 |
| 150 | 350 | 300 | 250 | 218 | 30 | 8-25 | 1300 | 720 | 320 | 136 |
| 200 | 400 | 360 | 320 | 278 | 34 | 12-25 | 1660 | 940 | 400 | 265 |
| 250 | 450 | 425 | 370 | 332 | 36 | 12-30 | 1790 | 1020 | 400 | 300 |
| 300 | 500 | 485 | 430 | 390 | 50 | 16-30 | 1990 | 1150 | 450 | 436 |
| 350 | 550 | 550 | 490 | 448 | 44 | 16-34 | 2090 | 1170 | 450 | 580 |
| 400 | 600 | 610 | 550 | 505 | 48 | 16-34 | 2290 | 1325 | 500 | 860 |
| 450 | 650 | 660 | 600 | 555 | 55 | 20-34 | 2485 | 1465 | 500 | 1260 |
| 500 | 700 | 730 | 660 | 610 | 52 | 20-41 | 2640 | 1590 | 550 | 1420 |
| 600 | 800 | 840 | 770 | 718 | 56 | 20-41 | 2940 | 1720 | 550 | 1710 |
| 700 | 900 | 955 | 875 | 815 | 60 | 21-48 | 3450 | 1960 | 600 | 2105 |
| 800 | 1000 | 1070 | 990 | 930 | 64 | 24-48 | 3650 | 2190 | 600 | 2310 |
| 900 | 1100 | 1180 | 1090 | 1025 | 66 | 28-54 | 3815 | 2400 | 800 | 2620 |
| 1000 | 1200 | 1305 | 1210 | 1140 | 68 | 28-58 | 4000 | 2650 | 800 | 2960 |



主要外形和连接尺寸 Main External and Connection Dimension

单位 Unit: mm

| 公称通径 DN | 主要外形尺寸和连接尺寸 (mm) Main external and connecting dimensions | | | | | | | | | WT (kg) | |
|------------|----------------------------------------------------------|-----|-----|-----|-----|----|-------|------|------|------------|------|
| | L | D | D1 | D2 | D6 | b | Z-φd | H | H1 | | D0 |
| | CZ6s40H-40 CZ6s40Y-40P CZ6s40Y-40R | | | | | | | | | | |
| 50 | 250 | 160 | 125 | 100 | 88 | 20 | 4-18 | 950 | 570 | 200 | 42 |
| 65 | 280 | 180 | 145 | 120 | 110 | 22 | 8-18 | 1050 | 596 | 200 | 68 |
| 80 | 320 | 195 | 160 | 135 | 121 | 22 | 8-18 | 1080 | 635 | 250 | 84 |
| 100 | 350 | 230 | 190 | 160 | 150 | 24 | 8-23 | 1145 | 645 | 320 | 102 |
| 125 | 400 | 270 | 220 | 188 | 176 | 28 | 8-25 | 1210 | 700 | 320 | 135 |
| 150 | 450 | 300 | 250 | 218 | 204 | 30 | 8-25 | 1330 | 750 | 400 | 156 |
| 200 | 550 | 375 | 320 | 282 | 260 | 38 | 12-30 | 1660 | 940 | 400 | 276 |
| 250 | 650 | 445 | 385 | 345 | 313 | 42 | 12-34 | 1820 | 1050 | 450 | 306 |
| 300 | 750 | 510 | 450 | 408 | 364 | 46 | 16-34 | 1990 | 1150 | 450 | 510 |
| 350 | 850 | 570 | 510 | 465 | 422 | 52 | 16-34 | 2110 | 1190 | 500 | 720 |
| 400 | 950 | 655 | 585 | 535 | 474 | 58 | 16-41 | 2335 | 1370 | 550 | 1050 |
| 450 | 1050 | 680 | 610 | 560 | 524 | 60 | 20-41 | 2490 | 1510 | 550 | 1320 |
| 500 | 1150 | 755 | 670 | 612 | 576 | 62 | 20-48 | 2640 | 1590 | 550 | 1800 |
| 600 | 1350 | 890 | 795 | 730 | 678 | 62 | 20-54 | 2940 | 1720 | 600 | 2160 |

技术规范 Technical specification

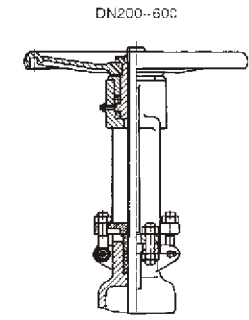
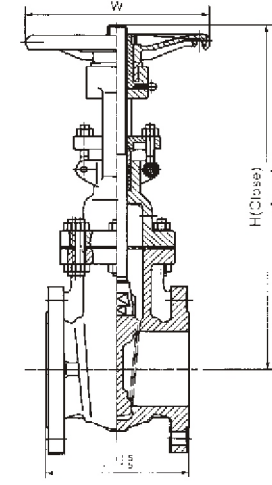
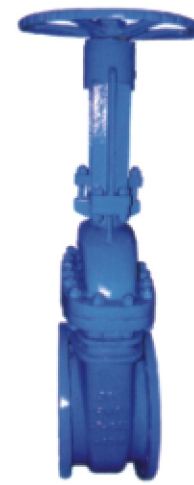
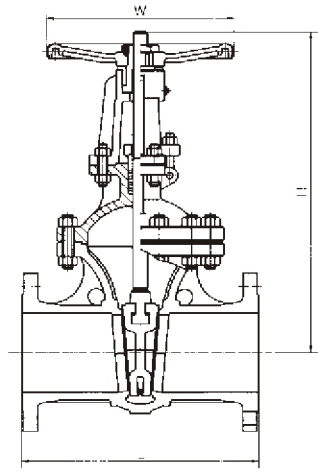
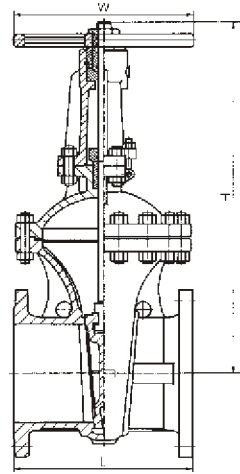
| | |
|---------------------------|----------------------|
| 结构长度 Structural formation | BB-GB-OS&Y |
| 结构长度 Driving maner | 手动 Hand-operated |
| | 电动 Electric-actuated |
| 设计标准 Desige standard | DIN3352 |
| 结构长度 Face to face | DIN3202 |
| 连接法兰 Flange end | DIN2543-2547 |
| 试验与检验 Test & check | DIN3230 |

产品性能规范 Chief property and specification

| 公称压力(MPa) Nominal pressure | 壳体试验压力(MPa) Shell Test pressure | 密封试验压力(MPa) Sealing Test pressure | 适用温度℃ Applicable temperature | 适用介质 Applicable medium |
|-------------------------------|------------------------------------|--------------------------------------|---------------------------------|-------------------------------------|
| 1.6 | 2.4 | 1.76 | -110~600℃ | 水、蒸气、油品等 Water, steam, oil goods |
| 2.5 | 3.75 | 2.75 | | |
| 4.0 | 6.0 | 4.4 | | |
| 6.4 | 9.6 | 7.04 | | |

主要零件材料 Material for main parts

| | | | | | | | | | | | |
|----------------------------------|--------|--------|-----|--------|--------|--------|--------|--------|--------|--------|-----|
| 壳体 Body | GS-C25 | | | | | | | 1.4308 | | | |
| 阀瓣 Disc | GS-C25 | | | 1.4308 | 1.4408 | Monel | | 1.4308 | | | |
| 阀杆 Stem | 13Cr | | | 1.4308 | 1.4408 | Monel | | F304 | | | |
| 阀瓣密封面 Wedge disc sealing face | 13Cr | 13Cr | STL | 1.4308 | STL | 1.4408 | STL | Monel | 1.4308 | 1.4308 | STL |
| 阀座密封面 Seat ting sealing face | 13Cr | STL | STL | 1.4308 | STL | 1.4408 | STL | Monel | 1.4308 | STL | STL |
| 壳体 Body | 1.4408 | | | 1.4306 | | | 1.4301 | | | | |
| 阀瓣 Disc | 1.4408 | | | 1.4306 | | | 1.4301 | | | | |
| 阀杆 Stem | 1.4408 | | | 1.4306 | | | 1.4301 | | | | |
| 阀瓣密封面 Wedge disc sealing face | 1.4408 | 1.4308 | STL | 1.4306 | 1.4306 | STL | 1.4301 | 1.4301 | STL | | |
| 阀座密封面 Seat ting sealing face | 1.4408 | STL | STL | 1.4306 | STL | STL | 1.4301 | STL | STL | | |



主要外形和连接尺寸 Main External and Connection Dimension

| 压力等级 Pressre (MPa) | PN1.6MPa/F5系列 | | | | | | | | | | | | | |
|--------------------------|---------------|-----|-----|-----|-----|-----|-----|------|------|------|------|------|------|------|
| 口径 Size(mm) | 50 | 65 | 80 | 100 | 125 | 150 | 200 | 250 | 300 | 350 | 400 | 450 | 500 | 600 |
| L | 250 | 270 | 280 | 300 | 325 | 350 | 400 | 450 | 500 | 550 | 600 | 650 | 700 | 800 |
| H | 417 | 452 | 530 | 607 | 720 | 790 | 885 | 1014 | 1190 | 1350 | 1460 | 1630 | 1800 | 2200 |
| W | 200 | 280 | 280 | 300 | 350 | 350 | 400 | 450 | 500 | 600 | 600 | 650 | 700 | 800 |
| 重量 Weight(Kg) | 16 | 25 | 30 | 55 | 75 | 98 | 150 | 245 | 353 | 490 | 750 | 985 | 1063 | 1390 |

| 压力等级 Pressre (MPa) | PN2.5MPa/F5系列 | | | | | | | | | | | | | |
|--------------------------|---------------|-----|-----|-----|-----|-----|-----|------|------|------|------|------|------|------|
| 口径 Size(mm) | 50 | 65 | 80 | 100 | 125 | 150 | 200 | 250 | 300 | 350 | 400 | 450 | 500 | 600 |
| L | 250 | 270 | 280 | 300 | 325 | 350 | 400 | 450 | 500 | 550 | 600 | 650 | 700 | 800 |
| H | 417 | 452 | 530 | 607 | 720 | 790 | 885 | 1014 | 1190 | 1350 | 1460 | 1630 | 1800 | 2200 |
| W | 200 | 280 | 280 | 300 | 350 | 350 | 400 | 450 | 500 | 600 | 600 | 650 | 700 | 800 |
| 重量 Weight(Kg) | 16 | 31 | 43 | 58 | 82 | 103 | 180 | 265 | 385 | 647 | 835 | 1050 | 1130 | 1500 |

| 压力等级 Pressre (MPa) | PN4.0MPa/F5系列 | | | | | | | | | | | | | |
|--------------------------|---------------|-----|-----|-----|-----|-----|-----|------|------|------|------|------|------|------|
| 口径 Size(mm) | 50 | 65 | 80 | 100 | 125 | 150 | 200 | 250 | 300 | 350 | 400 | 450 | 500 | 600 |
| L | 250 | 290 | 310 | 350 | 400 | 450 | 550 | 650 | 750 | 850 | 950 | 1050 | 1150 | 1350 |
| H | 407 | 456 | 604 | 607 | 720 | 780 | 875 | 1260 | 1480 | 1605 | 1788 | 1956 | 2168 | 2601 |
| W | 200 | 280 | 300 | 350 | 350 | 400 | 450 | 500 | 500 | 600 | 650 | 700 | 700 | 800 |
| 重量 Weight(Kg) | 18 | 32 | 47 | 60 | 95 | 130 | 220 | 290 | 490 | 760 | 900 | 1250 | 1450 | 1700 |

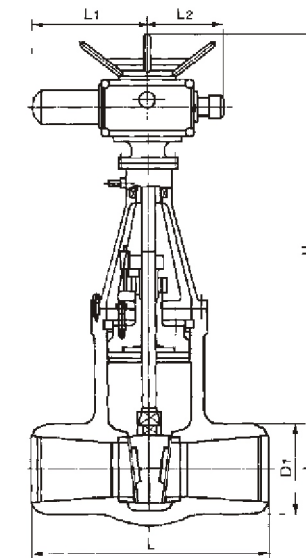
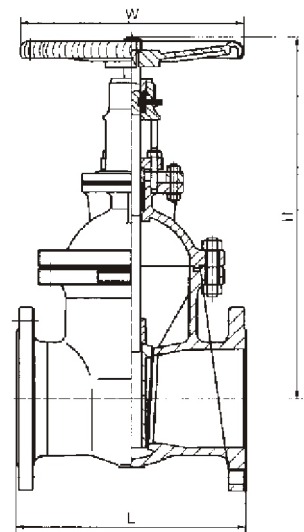
| 压力等级 Pressre (MPa) | PN6.4MPa/F5系列 | | | | | | | | | | | | | |
|--------------------------|---------------|-----|-----|-----|-----|-----|-----|------|------|------|------|------|------|------|
| 口径 Size(mm) | 50 | 65 | 80 | 100 | 125 | 150 | 200 | 250 | 300 | 350 | 400 | 450 | 500 | 600 |
| L | 250 | 290 | 310 | 350 | 400 | 450 | 550 | 650 | 750 | 850 | 950 | 1050 | 1150 | 1350 |
| H | 407 | 456 | 604 | 607 | 720 | 780 | 875 | 1260 | 1480 | 1605 | 1788 | 1956 | 2168 | 2601 |
| W | 200 | 280 | 300 | 350 | 350 | 400 | 450 | 500 | 500 | 600 | 650 | 700 | 700 | 800 |
| 重量 Weight(Kg) | 20 | 35 | 52 | 66 | 103 | 140 | 230 | 300 | 510 | 780 | 940 | 1300 | 1600 | 1850 |

主要外形和连接尺寸 Main External and Connection Dimension

| 压力等级 Pressre (MPa) | PN1.6MPa | | | | | | | | | | | | | |
|--------------------------|----------|-----|-----|-----|-----|-----|-----|-----|-----|------|------|------|------|------|
| 口径 Size(mm) | 50 | 65 | 80 | 100 | 125 | 150 | 200 | 250 | 300 | 350 | 400 | 450 | 500 | 600 |
| L | 150 | 170 | 180 | 190 | 200 | 210 | 230 | 250 | 270 | 290 | 310 | 330 | 350 | 390 |
| H | 305 | 354 | 402 | 437 | 496 | 541 | 699 | 815 | 914 | 1189 | 1350 | 1680 | 1907 | 2050 |
| W | 200 | 200 | 750 | 250 | 300 | 350 | 400 | 400 | 450 | 450 | 500 | 500 | 600 | 600 |
| 重量 Weight(Kg) | 15 | 17 | 23 | 43 | 51 | 68 | 105 | 176 | 285 | 356 | 568 | 702 | 895 | 1045 |

主要外形和连接尺寸 Main External and Connection Dimension

| 压力等级 Pressre (MPa) | PN2.5MPa | | | | | | | | | | | | | |
|--------------------------|----------|-----|-----|-----|-----|-----|-----|-----|-----|------|------|------|------|------|
| 口径 Size(mm) | 50 | 65 | 80 | 100 | 125 | 150 | 200 | 250 | 300 | 350 | 400 | 450 | 500 | 600 |
| L | 150 | 180 | 180 | 190 | 200 | 210 | 230 | 250 | 270 | 290 | 310 | 330 | 350 | 390 |
| H | 325 | 365 | 415 | 453 | 505 | 556 | 744 | 864 | 948 | 1269 | 1450 | 1680 | 1907 | 2050 |
| W | 200 | 260 | 250 | 300 | 350 | 400 | 450 | 500 | 550 | 600 | 600 | 600 | 600 | 600 |
| 重量 Weight(Kg) | 20 | 39 | 39 | 58 | 80 | 101 | 190 | 290 | 405 | 510 | 650 | 702 | 895 | 1045 |



主要外形和连接尺寸 Main External and Connection Dimension

| 压力等级 Pressre (MPa) | PN1.6MPa | | | | | | | | | | |
|--------------------------|----------|-----|-----|-----|-----|-----|-----|-----|-----|------|------|
| 口径 Size(mm) | 50 | 65 | 80 | 100 | 125 | 150 | 200 | 250 | 300 | 350 | 400 |
| L | 250 | 270 | 280 | 330 | 360 | 390 | 460 | 530 | 630 | 690 | 750 |
| H | 305 | 354 | 402 | 437 | 496 | 541 | 699 | 815 | 914 | 1189 | 1350 |
| W | 200 | 200 | 75 | 250 | 300 | 350 | 400 | 450 | 500 | 550 | 600 |
| 重量 Weight(Kg) | 20 | 30 | 38 | 56 | 75 | 100 | 182 | 278 | 398 | 500 | 618 |

| 压力等级 Pressre (MPa) | PN2.5MPa | | | | | | | | | | |
|--------------------------|----------|-----|-----|-----|-----|-----|-----|-----|-----|------|------|
| 口径 Size(mm) | 50 | 65 | 80 | 100 | 125 | 150 | 200 | 250 | 300 | 350 | 400 |
| L | 250 | 270 | 280 | 330 | 360 | 390 | 460 | 530 | 630 | 690 | 750 |
| H | 325 | 363 | 415 | 453 | 505 | 556 | 744 | 865 | 948 | 1269 | 1450 |
| W | 200 | 200 | 250 | 300 | 350 | 400 | 450 | 500 | 550 | 600 | 600 |
| 重量 Weight(Kg) | 20 | 30 | 39 | 58 | 80 | 101 | 190 | 290 | 405 | 510 | 650 |

| 压力等级 Pressre (MPa) | PN4.0MPa | | | | | | | | | | |
|--------------------------|----------|-----|------|-----|-----|-----|-----|-------|-----|------|------|
| 口径 Size(mm) | 50 | 65 | 80 | 100 | 125 | 150 | 200 | 250 | 300 | 350 | 400 |
| L | 250 | 270 | 280 | 330 | 360 | 390 | 460 | 530 | 630 | 690 | 750 |
| H | 325 | 370 | 430 | 480 | 532 | 589 | 783 | 888 | 965 | 1285 | 1512 |
| W | 200 | 200 | 250 | 300 | 350 | 400 | 450 | 500 | 550 | 600 | 600 |
| 重量 Weight(Kg) | 20 | 31 | 41.5 | 61 | 83 | 110 | 210 | 318.5 | 430 | 520 | 680 |

产品执行标准 Production enforce standard

| 产品规范 Product specification | 设计规范 Design spec | 结构长度 Face to Face | 连接法兰 Flange End | 试验与检验 Test & Check | 压力-温度 Pressure-Temp | 产品标识 Marking |
|----------------------------------|---------------------|----------------------|--------------------|-----------------------|------------------------|-----------------|
| | JB/T7746 | JB/T7746 | JB/T79 | JB/T9092 | GB/T9131 | GB/T12220 |

产品性能规范 Chief property and specification

| 产品型号 Product type | 公称压力 PN(MPa) Nominal pressure | 试验压力(MPa) Test pressure | | 工作压力(MPa) Working pressure | 工作温度(°C) Working temperatuer | 适用介质 Appicable medium |
|----------------------|-------------------------------------|-------------------------|--------------------------|----------------------------------|------------------------------------|-----------------------------|
| | | 强度试验 Shell test | 密封试验/上密封 试验 Seal test | | | |
| Z960Y-250 | 25 | 37.5 | 27.5 | - | ≤425 | 水、蒸汽 Water, steam |
| Z960Y-320 | 32 | 48.0 | 36.0 | - | ≤425 | |
| Z960Y-P54100 | - | 30.0 | 22.0 | P5410 | ≤540 | 蒸汽 Steam |
| Z960Y-P54170 | - | 48.0 | 36.0 | P5417 | ≤540 | |

主要零件材料 Material for main parts

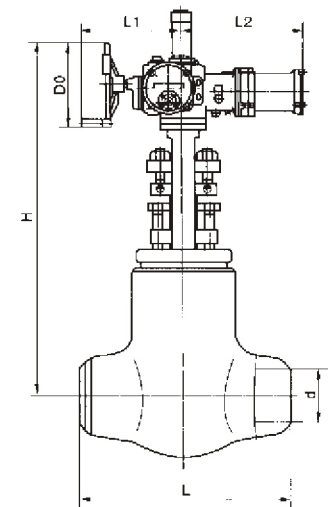
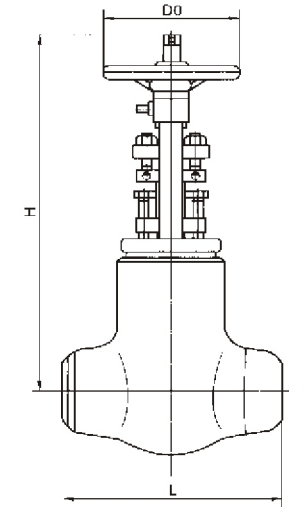
| 零件名称 Part name | 材料牌号 Material designation | | |
|---------------------|------------------------------------------------|------------------|------------------|
| 阀体 Body | WCB | WC6 | WC9 |
| 阀板 Disc | WCB | WC6 | WC9 |
| 阀盖 Bonnet | 25 | 12Cr1Mo1VA | |
| 阀杆 Stem | 1Cr17Ni2 | 20Cr1Mo1VA | |
| 阀座 Seat | 25 | 12Cr1Mo1VA | |
| 密封环 Sealing ring | S软钢(增强柔性石墨) S soft steel(flexible graphite) | S软钢 S soft steel | F软钢 F Soft steel |
| 填料 Packing | 增强柔性石墨 Flexible graphite | | |
| 支架 Yoke | WCB | WCB或WC6 | |
| 阀杆螺母 Stem nut | 45(ZCuZn25A16Fe3Mn3) | | |
| 四开环 Four piece ring | 1Cr13 | 20Cr1Mo1VA | |

Z960Y-100~320 P₅₄100V、P₅₄170V

主要外形和连接尺寸 Main External and Connection Dimension

单位 Unit:mm

| 公称通径 DN | 主要外形尺寸和连接尺寸 (mm) Main external and connecting dimensions | | | | | 电动装置 Electric device | WT(kg) |
|---------------|-------------------------------------------------------------|------|------|-----|-----|-------------------------|--------|
| | d | L | H | L1 | L | | |
| Z960Y-250 | | | | | | | |
| 100 | 84 | 406 | 1164 | 437 | 277 | DZW45 | 234 |
| 125 | 100 | 483 | 1402 | 437 | 277 | DZW60 | 343 |
| 175 | 158 | 711 | 1650 | 554 | 309 | DZW180 | 638 |
| 225 | 200 | 864 | 1650 | 554 | 309 | DZW180 | 654 |
| 300 | 280 | 1067 | 2106 | 764 | 398 | DZW350 | 1973 |
| Z960Y-320 | | | | | | | |
| 100 | 96 | 533 | 1236 | 437 | 277 | DZW180 | 291 |
| 125 | 118 | 610 | 1302 | 437 | 277 | DZW180 | 315 |
| 150 | 148 | 762 | 1403 | 526 | 283 | DZW180 | 672 |
| 175 | 148 | 762 | 1650 | 554 | 309 | DZW180 | 684 |
| Z960Y-P54100V | | | | | | | |
| 225 | 222 | 1041 | 1650 | 554 | 309 | DZW250 | 696 |
| 175 | 148 | 762 | 1650 | 554 | 309 | DZW60 | 683 |
| 225 | 222 | 1041 | 1650 | 554 | 309 | DZW180 | 704 |
| 250 | 222 | 1041 | 1795 | 554 | 309 | DZW500 | 1214 |
| 300 | 294 | 1245 | 2080 | 554 | 309 | DZW500 | 2125 |
| Z960Y-P54170V | | | | | | | |
| 125 | 98 | 630 | 1230 | 437 | 277 | DZWC60 | 312 |
| 225 | 186 | 1060 | 1680 | 554 | 309 | DZW180 | 1401 |
| 300 | 278 | 1397 | 2265 | 764 | 398 | SMC-3 DZW500 | 2834 |
| 325 | 310 | 1448 | 2265 | 690 | 688 | DZW500 | 2632 |
| 350 | 338 | 1550 | 2536 | 715 | 688 | SMC-4 | 5591 |



产品执行标准 Production enforce standard

| 产品规范 Product Specification | 设计规范 Design spec | 结构长度 Face to Face | 对焊连接 BW End | 试验与检验 Test & Check | 压力-温度 Pressure-Temp | 产品标识 Marking | 供货规范 Supply |
|-------------------------------|---------------------|----------------------|----------------|-----------------------|------------------------|-----------------|----------------|
| | JB/T3595/E101 | E101 | 78DG | E101 | JB/T3595 | GB/T12220 | JB/T7928 |

产品性能规范 Chief property and specification

| 壳体材料 Shell material | 适用温度℃ Applicable temperature | 适用介质 Applicable medium |
|------------------------|---------------------------------|---------------------------|
| ASTM A216 WCB | ≤425 | 水、蒸汽 Water, steam |
| ASTM A217 WC1 | ≤450 | 水、蒸汽 Water, steam |
| ASTM A217 WC6 | ≤550 | 水、蒸汽 Water, steam |
| ASTM A217 WC9 | ≤590 | 水、蒸汽 Water, steam |

主要零件材料 Material for main parts

| 零件名称 Part name | 材料牌号 Material designation | | | |
|------------------|-------------------------------------------------|-------------------|-----------------------|-----------------------|
| 阀体 Body | WCB | WC1 | WC6 | WC9 |
| 阀板 Disc | WCB | WC1 | WC6 | WC9 |
| 阀盖 Bonnet | 25 WCB | 15Cr1Mo1VA WC1 | 12Cr1Mo1VA WC1 | 12Cr1Mo1VA WC9 |
| 阀座 Seat | 25 | 15Cr1Mo1VA | 12Cr1Mo1VA | 12Cr1Mo1VA |
| 阀杆 Stem | 1Cr17Ni2 | 1Cr17Ni2 | SUGG600 12Cr1Mo1VA | SUGG600 12Cr1Mo1CA |
| 填料 Packing | 增强柔性石墨 (Flexible graphite) | | | |
| 支架 Yoke | WCB | WCB WC1 | WCB WC6 | WCB WC9 |
| 密封环 Sealing ring | S软钢(增强柔性石墨) S soft steel (Flexible graphite) | | S软钢 S soft steel | F软钢 F soft steel |
| 阀杆螺母 Stem nut | 45(ZCuZn25A16Fe3Mn3) | | | |

主要外形和连接尺寸 Main External and Connection Dimension

单位Unit:mm

| 公称通径DN | 主要外形尺寸和连接尺寸(mm)Main external and connecting dimensions | | | | | | 电动装置 Electric actuators | WT(kg) |
|--------------|--------------------------------------------------------|------|--------------|------------|------------|------------|----------------------------|--------------|
| | d | L | H | D0 | L1 | L2 | | |
| Z960Y-1500Lb | | | | | | | | |
| 2 1/2 | 56 | 254 | 520 | 200 | 140 | 243 | SMC-04 | 93 |
| 3 | 64 | 305 | 523 | 508 | 140 | 243 | SMC-04 | 110 |
| 4 | 84 | 406 | 599 599 | 508 305 | 198 400 | 281 555 | SMC-03 SMC-00 | 168 208 |
| 5 | 100 | 483 | 678 678 | 508 305 | 198 400 | 565 654 | SMC-03 SMC-00 | 189 232 |
| 6 | 126 | 559 | 793 793 | 305 305 | 410 420 | 565 654 | SMC-0 SMC-1 | 358 444 |
| 8 | 158 | 711 | 813 813 | 305 305 | 410 420 | 668 654 | SMC-0 SMC-1 | 517 561 |
| 10 | 200 | 864 | 998 988 | 457 305 | 440 420 | 654 688 | SMC-2 SMC-1 | 852 823 |
| 12 | 250 | 991 | 1141 1156 | 305 457 | 420 440 | 688 688 | SMC-1 SMC-2 | 1122 1150 |
| 14 | 280 | 1067 | 1249 | 610 | 690 | | SMC-3 | 1760 |
| 16 | 3189 | 1194 | 1351 | 610 | 690 | | SMC-3 | 2429 |
| 18 | 360 | 1346 | 1535 1540 | 610 610 | 690 715 | | SMC-3 SMC-4 | 2454 2524 |
| 20 | 406 | 1473 | 1726 1731 | 610 610 | 690 715 | | SMC-3 SMC-4 | 3334 3380 |
| 22 | 450 | 1600 | 1921 1926 | 610 610 | 690 715 | | SMC-3 SMC-4 | 4409 4648 |
| Z960Y-2000Lb | | | | | | | | |
| 2 1/2 | 50 | 33 | 540 | 200 | 140 | 243 | SMC-04 | 202 |
| 3 | 60 | 368 | 558 | 508 | 198 | 332 | SMC-03 | 149 |
| 4 | 80 | 457 | 654 | 305 | 400 | 555 | SMC-00 | 245 |
| 5 | 96 | 533 | 780 780 | 305 305 | 400 410 | 555 565 | SMC-00 SMC-0 | 280 323 |
| 6 | 118 | 610 | 830 | 305 | 410 | 565 | SMC-0 | 419 |
| 8 | 148 | 762 | 960 960 | 305 305 | 410 420 | 565 654 | SMC-0 SMC-1 | 626 715 |
| 10 | 180 | 914 | 1020 1024 | 305 457 | 420 440 | 654 688 | SMC-1 SMC-2 | 1020 1050 |
| 12 | 222 | 1041 | 1150 1166 | 457 610 | 440 690 | 688 | SMC-2 SMC-3 | 1320 1358 |
| 14 | 254 | 1118 | 1230 1240 | 457 610 | 440 690 | 688 | SMC-2 SMC-3 | 1810 1840 |
| 16 | 294 | 1245 | 1330 1350 | 610 610 | 690 715 | | SMC-3 SMC-4 | 2270 2300 |

主要外形和连接尺寸 Main External and Connection Dimension

单位Unit:mm

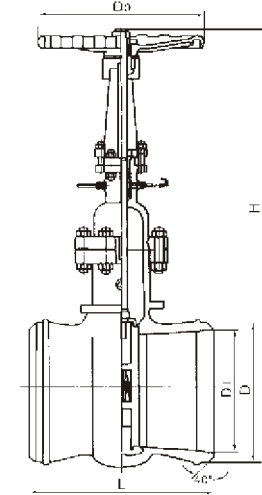
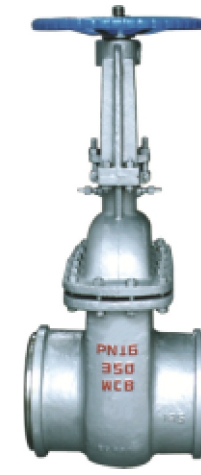
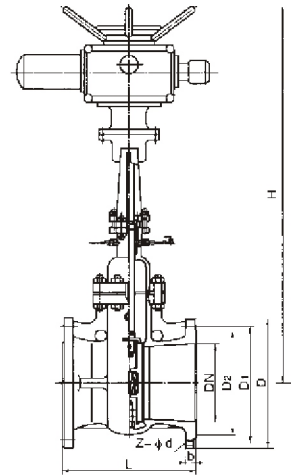
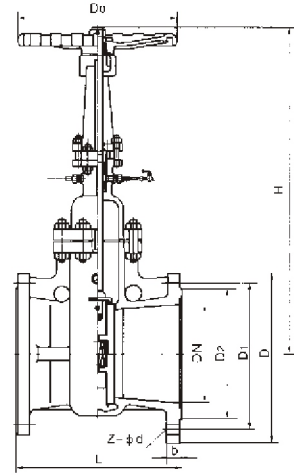
| 公称通径DN | 主要外形尺寸和连接尺寸(mm)Main external and connecting dimensions | | | | | | 电动装置 Electric actuators | WT(kg) |
|--------------|--------------------------------------------------------|------|--------------|------------|------------|------------|----------------------------|--------------|
| | d | L | H | D0 | L1 | L2 | | |
| Z960Y-2500Lb | | | | | | | | |
| 2 1/2 | 46 | 330 | 533 533 | 508 200 | 198 140 | 332 243 | SWC-03 SWC-04 | 143 116 |
| 3 | 54 | 368 | 549 549 | 508 200 | 198 140 | 332 243 | SWC-03 SWC-04 | 160 134 |
| 4 | 70 | 457 | 653 644 | 508 305 | 198 140 | 332 565 | SWC-03 SWC-0 | 251 294 |
| 5 | 86 | 533 | 760 774 | 305 305 | 400 400 | 555 565 | SWC-00 SWC-0 | 324 341 |
| 6 | 104 | 610 | 850 861 | 305 305 | 400 410 | 555 565 | SWC-00 SWC-0 | 479 564 |
| 8 | 130 | 762 | 847 860 | 305 305 | 410 420 | 565 654 | SWC-0 SWC-1 | 725 750 |
| 10 | 162 | 814 | 1031 1050 | 305 610 | 420 690 | 654 | SWC-1 SWC-3 | 1152 1220 |
| 12 | 210 | 1041 | 1125 1149 | 457 610 | 440 690 | 688 | SWC-2 SWC-3 | 1520 1558 |
| 14 | 234 | 1118 | 1221 | 610 | 690 | | SWC-3 | 1869 |
| 16 | 264 | 1245 | 1390 1395 | 610 610 | 690 715 | | SWC-3 SWC-4 | 2826 3048 |
| Z960Y-3500Lb | | | | | | | | |
| 3 | 44 | 440 | 620 620 | 508 305 | 198 400 | 332 555 | SWC-03 SWC-00 | 269 305 |
| 4 | 56 | 540 | 721 730 | 305 305 | 400 410 | 555 565 | SWC-00 SWC-0 | 398 437 |
| 5 | 74 | 616 | 769 769 | 305 305 | 410 420 | 565 654 | SWC-0 SWC-1 | 507 592 |
| 6 | 88 | 692 | 857 857 | 305 305 | 410 420 | 565 654 | SWC-0 SWC-1 | 605 691 |
| 8 | 116 | 846 | 1041 1051 | 305 457 | 420 440 | 654 688 | SWC-1 SWC-2 | 1088 1179 |
| 10 | 142 | 1000 | 1197 1207 | 457 610 | 440 690 | 688 | SWC-2 SWC-2 | 1700 2031 |
| 12 | 174 | 1124 | 1338 | 610 | 690 | | SWC-3 | 2708 |
| 14 | 196 | 1229 | 1455 1440 | 610 610 | 715 690 | | SWC-4 SWC-3 | 3180 3131 |
| 18 | 252 | 1499 | 1915 | 610 | 715 | | SWC-4 | 4560 |

水封闸阀 Water-sealed Gate Valves

DS/Z964H-16~100C DS/Z960H/Y-40~100C

水封闸阀 Water-sealed Gate Valves

DS/Z964H-16~100C DS/Z960H/Y-40~100C



主要外形和连接尺寸 Main External and Connection Dimension DS/Z964H-16、25 单位Unit:mm

| 公称通径 DN | L | a | H | PN1.6(MPa) | | | | PN2.5(MPa) | | | |
|------------|------|---------|------|------------|-----|----------------------------|------------|------------|-----|----------------------------|------------|
| | | | | D | D1 | 电动装置 Electric actuators | WT (kg) | D | D1 | 电动装置 Electric actuators | WT (kg) |
| 50 | 250 | 37° 30' | 620 | 58 | 50 | DZW10 | 50 | 64 | 49 | DZW10 | 54 |
| 65 | 270 | 37° 30' | 714 | 75 | 65 | DZW10 | 63 | 82 | 67 | DZW10 | 66 |
| 80 | 280 | 37° 30' | 765 | 91 | 79 | DZW10 | 65 | 95 | 77 | DZW10 | 68 |
| 100 | 300 | 37° 30' | 840 | 110 | 97 | DZW15 | 75 | 117 | 101 | DZW15 | 80 |
| 125 | 325 | 37° 30' | 852 | 136 | 121 | DZW15 | 106 | 114 | 126 | DZW20I | 109 |
| 150 | 350 | 37° 30' | 875 | 163 | 146 | DZW20I | 113 | 172 | 158 | DZW20I | 146 |
| 200 | 400 | 37° 30' | 1015 | 223 | 202 | DZW20 | 189 | 223 | 202 | DZW30 | 191 |
| 250 | 450 | 37° 30' | 1125 | 278 | 254 | DZW30 | 214 | 278 | 254 | DZW30 | 219 |
| 300 | 500 | 37° 30' | 1371 | 330 | 305 | DZW45 | 353 | 330 | 305 | DZW45 | 257 |
| 350 | 550 | 37° 30' | 1485 | 382 | 352 | DZW60 | 602 | 382 | 352 | DZW60 | 607 |
| 400 | 600 | 37° 30' | 1890 | 432 | 399 | DZW60 | 698 | 432 | 399 | DZW60 | 705 |
| 450 | 650 | 37° 30' | 1989 | 485 | 451 | DZW90 | 713 | 485 | 451 | DZW90 | 720 |
| 500 | 700 | 37° 30' | 2041 | 535 | 501 | DZW120 | 881 | 535 | 499 | DZW120 | 888 |
| 600 | 800 | 37° 30' | 2285 | 636 | 601 | DZW180 | 1250 | 636 | 599 | DZW180 | 1275 |
| 700 | 900 | 37° 30' | 2347 | 726 | 691 | DZW250 | 1938 | 726 | 689 | DZW250 | 1946 |
| 800 | 1000 | 37° 30' | 2593 | 826 | 791 | DZW350 | 2562 | 826 | 789 | DZW350 | 2574 |

注: PN1.6 (16) 阀门允许作为PN1.0 (10) 压力级选用。 Annotation:PN1.6(16)valve is permit be used as PN1.0 (10) .

DS/Z960H-40、64、100

| 公称通径 DN | L | D | a | PN4.0(MPa) | | | | PN6.4(MPa) | | | | PN10.0(MPa) | | | |
|------------|------|-----|---------|------------|------|----------------------------|------------|------------|------|----------------------------|------------|-------------|------|----------------------------|------------|
| | | | | D1 | H | 电动装置 Electric actuators | WT (kg) | D1 | H | 电动装置 Electric actuators | WT (kg) | D1 | H | 电动装置 Electric actuators | WT (kg) |
| 50 | 280 | 64 | 37° 30' | 49 | 620 | DZW10 | 56 | 50 | 622 | DZW10 | 58 | 49 | 622 | DZW10 | 58 |
| 65 | 310 | 83 | 37° 30' | 67 | 714 | DZW10 | 68 | 66 | 718 | DZW15 | 71 | 67 | 718 | DZW15 | 71 |
| 80 | 350 | 96 | 37° 30' | 79 | 767 | DZW15 | 73 | 77 | 770 | DZW20I | 74 | 75 | 770 | DZW20I | 77 |
| 100 | 400 | 117 | 37° 30' | 101 | 845 | DZW20I | 82 | 99 | 845 | DZW20I | 85 | 97 | 845 | DZW30I | 89 |
| 125 | 450 | 144 | 37° 30' | 126 | 852 | DZW20I | 108 | 129 | 852 | DZW30 | 111 | 125 | 852 | DZW30 | 113 |
| 150 | 550 | 172 | 37° 30' | 152 | 875 | DZW30 | 117 | 150 | 875 | DZW30 | 117 | 145 | 965 | DZW45 | 122 |
| 200 | 650 | 223 | 37° 30' | 200 | 1015 | DZW30 | 193 | 198 | 1105 | DZW45 | 193 | 190 | 1105 | DZW60 | 195 |
| 250 | 750 | 278 | 37° 30' | 252 | 1215 | DZW45 | 217 | 246 | 1215 | DZW60 | 222 | 236 | 1237 | DZW90I | 235 |
| 300 | 850 | 330 | 37° 30' | 302 | 1371 | DZW60 | 357 | 294 | 1424 | DZW90I | 362 | 282 | 1424 | DZW120I | 370 |
| 350 | 950 | 382 | 37° 30' | 350 | 1507 | DZW90I | 624 | 324 | 1507 | DZW120I | 631 | 334 | 1670 | DZW180 | 641 |
| 400 | 1050 | 432 | 37° 30' | 397 | 1912 | DZW120 | 701 | 387 | 2075 | DZW180 | 713 | 377 | 2075 | DZW250 | 725 |

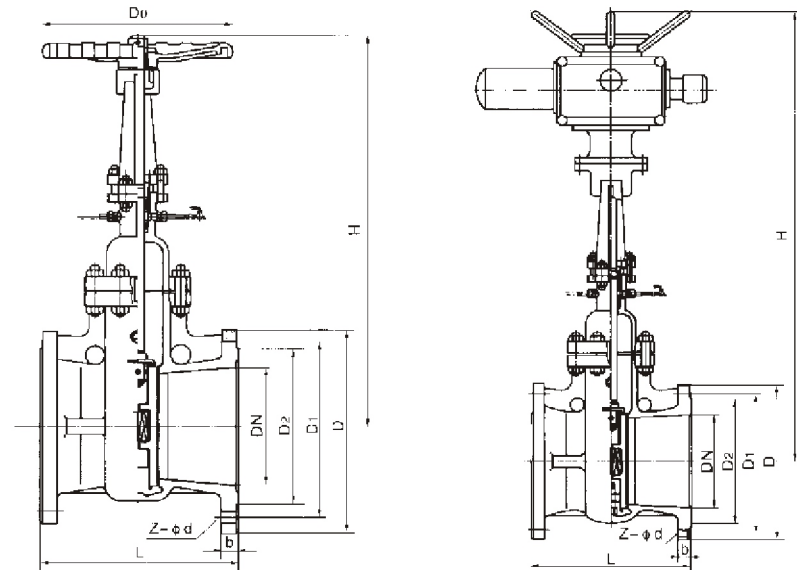
主要外形和连接尺寸 Main External and Connection Dimension DS/Z60H-16、25 单位Unit:mm

| 公称通径 DN | L | a | H | D0 | PN1.6(MPa) | | | PN2.5(MPa) | | |
|------------|-----|---------|------|-----|------------|-----|--------|------------|-----|--------|
| | | | | | D | D1 | WT(kg) | D | D1 | WT(kg) |
| 50 | 250 | 37° 30' | 334 | 250 | 58 | 50 | 19 | 64 | 49 | 23 |
| 65 | 270 | 37° 30' | 439 | 250 | 75 | 65 | 32 | 82 | 67 | 35 |
| 80 | 280 | 37° 30' | 495 | 300 | 91 | 79 | 34 | 95 | 77 | 37 |
| 100 | 300 | 37° 30' | 575 | 350 | 110 | 97 | 44 | 117 | 101 | 49 |
| 125 | 325 | 37° 30' | 587 | 350 | 136 | 121 | 75 | 144 | 126 | 78 |
| 150 | 350 | 37° 30' | 607 | 350 | 163 | 146 | 82 | 172 | 158 | 105 |
| 200 | 400 | 37° 30' | 740 | 400 | 223 | 202 | 158 | 223 | 202 | 160 |
| 250 | 450 | 37° 30' | 863 | 400 | 278 | 254 | 184 | 278 | 254 | 188 |
| 300 | 500 | 37° 30' | 990 | 400 | 330 | 305 | 245 | 330 | 305 | 249 |
| 350 | 550 | 37° 30' | 1137 | 500 | 382 | 352 | 492 | 382 | 352 | 497 |
| 400 | 600 | 37° 30' | 1523 | 500 | 432 | 399 | 588 | 432 | 399 | 592 |
| 450 | 650 | 37° 30' | 1618 | 600 | 485 | 451 | 683 | 485 | 451 | 688 |
| 500 | 700 | 37° 30' | 1657 | 600 | 535 | 501 | 846 | 535 | 499 | 853 |
| 600 | 800 | 37° 30' | 1746 | 700 | 636 | 601 | 1013 | 636 | 599 | 1020 |

注: PN1.6 (16) 阀门允许作为PN1.0 (10) 压力级选用。 Annotation:PN1.6(16)valve is permit be used as PN1.0 (10) .

DS/Z60H-40、64、100

| 公称通径 DN | L | D | a | PN4.0(MPa) | | | | PN6.4(MPa) | | | | PN10.0(MPa) | | | |
|------------|-----|-----|---------|------------|------|-----|------------|------------|------|-----|------------|-------------|------|-----|------------|
| | | | | D1 | H | D0 | WT (kg) | D1 | H | D0 | WT (kg) | D1 | H | D0 | WT (kg) |
| 50 | 250 | 64 | 37° 30' | 49 | 345 | 300 | 30 | 50 | 350 | 300 | 34 | 49 | 350 | 300 | 37 |
| 65 | 270 | 83 | 37° 30' | 67 | 441 | 300 | 38 | 66 | 447 | 300 | 41 | 64 | 447 | 300 | 44 |
| 80 | 280 | 96 | 37° 30' | 79 | 495 | 350 | 42 | 77 | 499 | 350 | 45 | 75 | 499 | 350 | 47 |
| 100 | 300 | 117 | 37° 30' | 101 | 575 | 350 | 52 | 99 | 582 | 400 | 55 | 97 | 582 | 400 | 57 |
| 125 | 325 | 144 | 37° 30' | 126 | 587 | 400 | 80 | 129 | 590 | 400 | 83 | 125 | 590 | 400 | 87 |
| 150 | 350 | 172 | 37° 30' | 152 | 607 | 400 | 107 | 150 | 611 | 450 | 110 | 145 | 611 | 450 | 113 |
| 200 | 400 | 223 | 37° 30' | 200 | 740 | 450 | 164 | 198 | 745 | 550 | 169 | 190 | 747 | 550 | 172 |
| 250 | 450 | 278 | 37° 30' | 252 | 863 | 550 | 191 | 246 | 867 | 650 | 195 | 236 | 869 | 650 | 198 |
| 300 | 500 | 330 | 37° 30' | 302 | 1008 | 650 | 254 | 294 | 1008 | 750 | 260 | 282 | 1013 | 750 | 265 |
| 350 | 550 | 382 | 37° 30' | 350 | 1142 | 750 | 499 | 342 | 1148 | 800 | 504 | 334 | 1148 | 850 | 508 |
| 400 | 650 | 432 | 37° 30' | 397 | 1527 | 850 | 598 | 387 | 1531 | 900 | 604 | 377 | 1533 | 950 | 610 |



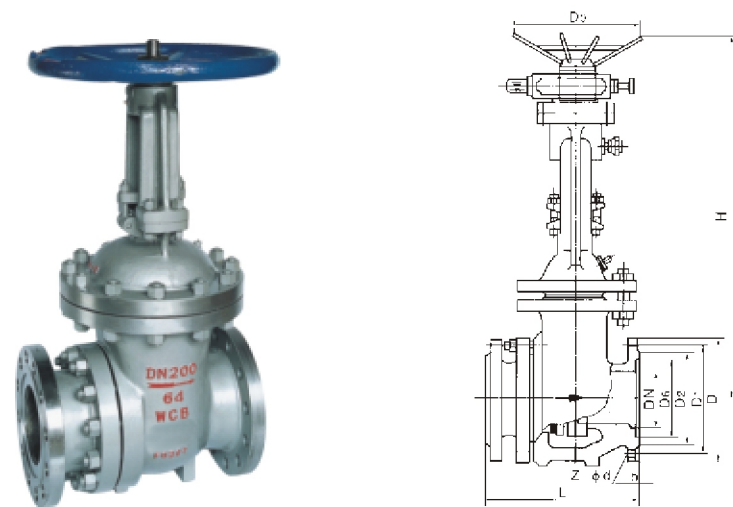
主要外形和连接尺寸 Main External and Connection Dimension

单位 Unit: mm

| 公称 口径 DN | 主要外形尺寸和连接尺寸 (mm) Main external and connecting dimensions | | | | | | | | | 手动 Manually | | | 电动 Electrically | | |
|----------------------|-------------------------------------------------------------|-----|-----|-----|-----|---|----|-----|-------|----------------|-----|------------|--------------------|-------------------------------|------------|
| | L | D | D1 | D2 | D6 | f | b | f2 | Z-φd | H | Do | WT (kg) | H | 电动装置 Electric actuators | WT (kg) |
| S/Z44H-40 S/Z944H-40 | | | | | | | | | | | | | | | |
| 50 | 250 | 160 | 125 | 100 | 88 | 3 | 20 | 4 | 4-18 | 330 | 300 | 27 | 620 | DZW10 | 55 |
| 65 | 270 | 180 | 145 | 120 | 110 | 3 | 22 | 4 | 4-16 | 435 | 300 | 38 | 714 | DZW10 | 65 |
| 80 | 280 | 195 | 160 | 135 | 121 | 3 | 22 | 4 | 8-18 | 491 | 350 | 42 | 765 | DZW15 | 70 |
| 100 | 300 | 230 | 190 | 160 | 150 | 3 | 24 | 4.5 | 8-23 | 573 | 350 | 57 | 840 | DZW20I | 86 |
| 125 | 325 | 270 | 220 | 188 | 176 | 3 | 28 | 4.5 | 8-25 | 582 | 400 | 91 | 852 | DZW20I | 120 |
| 150 | 350 | 300 | 250 | 218 | 204 | 3 | 30 | 4.5 | 8-25 | 605 | 400 | 110 | 875 | DZW30 | 138 |
| 200 | 400 | 375 | 320 | 282 | 260 | 3 | 38 | 4.5 | 12-30 | 739 | 450 | 169 | 1015 | DZW30 | 200 |
| 250 | 450 | 445 | 385 | 345 | 313 | 3 | 42 | 4.5 | 12-34 | 862 | 550 | 207 | 1225 | DZW40 | 298 |
| 300 | 500 | 510 | 450 | 400 | 364 | 4 | 46 | 4.5 | 16-34 | 990 | 650 | 266 | 1374 | DZW60 | 383 |
| 350 | 550 | 570 | 510 | 465 | 422 | 4 | 52 | 5 | 16-34 | 1139 | 750 | 513 | 1507 | DZW90I | 601 |
| 400 | 600 | 655 | 585 | 535 | 474 | 4 | 58 | 5 | 16-41 | 1523 | 850 | 627 | 1912 | DZW120 | 866 |

主要外形和连接尺寸 Main External and Connection Dimension

| 公称 口径 DN | 主要外形尺寸和连接尺寸 (mm) Main external and connecting dimensions | | | | | | | | | 手动 Manually | | | 电动 Electrically | | |
|--------------------------|-------------------------------------------------------------|-----|-----|-----|-----|---|----|-----|-------|----------------|-----|------------|--------------------|-------------------------------|------------|
| | L | D | D1 | D2 | D6 | f | b | f2 | Z-φd | H | Do | WT (kg) | H | 电动装置 Electric actuators | WT (kg) |
| DS/Z40H-64 DS/Z940H-64 | | | | | | | | | | | | | | | |
| 50 | 250 | 175 | 135 | 105 | 88 | 3 | 26 | 4 | 4-23 | 337 | 300 | 30 | 622 | DZW10 | 58 |
| 65 | 280 | 200 | 160 | 130 | 110 | 3 | 28 | 4 | 8-23 | 441 | 300 | 41 | 714 | DZW15 | 69 |
| 80 | 310 | 210 | 170 | 140 | 121 | 3 | 30 | 4 | 8-23 | 496 | 350 | 45 | 765 | DZW20I | 73 |
| 100 | 350 | 250 | 200 | 168 | 150 | 3 | 32 | 4.5 | 8-25 | 578 | 400 | 62 | 840 | DZW20I | 90 |
| 125 | 400 | 295 | 240 | 202 | 176 | 3 | 36 | 4.5 | 8-30 | 588 | 400 | 97 | 852 | DZW30 | 124 |
| 150 | 450 | 340 | 280 | 240 | 204 | 3 | 38 | 4.5 | 8-34 | 610 | 450 | 115 | 875 | DZW30 | 142 |
| 200 | 550 | 405 | 345 | 300 | 260 | 3 | 44 | 4.5 | 12-34 | 744 | 550 | 172 | 1195 | DZW45 | 270 |
| 250 | 650 | 470 | 400 | 352 | 313 | 3 | 48 | 4.5 | 12-41 | 867 | 650 | 211 | 1225 | DZW60 | 317 |
| 300 | 750 | 530 | 460 | 412 | 364 | 4 | 54 | 4.5 | 16-41 | 996 | 750 | 271 | 1393 | DZW90O | 399 |
| 350 | 850 | 595 | 525 | 475 | 422 | 4 | 50 | 5 | 16-41 | 1142 | 850 | 518 | 1507 | DZW120I | 647 |
| 400 | 950 | 670 | 585 | 525 | 474 | 4 | 66 | 5 | 16-48 | 1537 | 900 | 633 | 2075 | DZW180 | 882 |
| DS/Z40H-100 DS/Z940H-100 | | | | | | | | | | | | | | | |
| 50 | 250 | 195 | 145 | 112 | 88 | 3 | 28 | 4 | 4-25 | 337 | 300 | 34 | 622 | DZW10 | 62 |
| 65 | 280 | 220 | 170 | 138 | 110 | 3 | 32 | 4 | 8-25 | 441 | 300 | 46 | 714 | DZW15 | 74 |
| 80 | 310 | 230 | 180 | 148 | 121 | 3 | 34 | 4 | 8-25 | 496 | 350 | 50 | 765 | DZW20I | 78 |
| 100 | 350 | 265 | 210 | 172 | 150 | 3 | 38 | 4.5 | 8-30 | 578 | 400 | 67 | 840 | DZW30I | 95 |
| 125 | 400 | 310 | 250 | 210 | 176 | 3 | 42 | 4.5 | 8-34 | 588 | 400 | 102 | 852 | DZW30 | 129 |
| 150 | 450 | 350 | 290 | 250 | 204 | 3 | 46 | 4.5 | 12-34 | 610 | 450 | 121 | 875 | DZW45 | 221 |
| 200 | 550 | 430 | 360 | 312 | 260 | 3 | 54 | 4.5 | 12-41 | 744 | 550 | 178 | 1195 | DZW60 | 235 |
| 250 | 650 | 500 | 430 | 382 | 313 | 3 | 60 | 4.5 | 12-41 | 867 | 650 | 217 | 1225 | DZW90I | 345 |
| 300 | 750 | 585 | 500 | 442 | 364 | 4 | 70 | 4.5 | 16-48 | 996 | 750 | 278 | 1393 | DZW120I | 409 |
| 350 | 850 | 655 | 560 | 498 | 422 | 4 | 76 | 5 | 16-54 | 1142 | 850 | 524 | 1507 | DZW180 | 773 |
| 400 | 950 | 715 | 620 | 558 | 474 | 4 | 80 | 5 | 16-54 | 1537 | 950 | 640 | 2075 | DZW250 | 892 |



主要外形和连接尺寸(mm)Main External and Connection Dimension

单位Unit:mm

| 公称压力PN | 公称通径DN | L | D | D1 | D2 | D6 | b | f | Z-φd | H | Do | WT(kg) |
|--------|--------|------|-----|-----|-----|-----|-----|----|-------|-------|-----|--------|
| 1.6MPa | 50 | 250 | 160 | 125 | 100 | - | 16 | 3 | 4-18 | 335 | 250 | 60 |
| | 80 | 280 | 195 | 160 | 135 | - | 20 | 3 | 8-18 | 510 | 280 | 78 |
| | 100 | 300 | 215 | 180 | 155 | - | 20 | 3 | 8-18 | 685 | 300 | 96 |
| | 150 | 350 | 280 | 240 | 210 | - | 24 | 3 | 8-23 | 790 | 300 | 158 |
| | 200 | 400 | 335 | 295 | 265 | - | 26 | 3 | 12-23 | 885 | 350 | 222 |
| | 250 | 450 | 405 | 355 | 320 | - | 30 | 3 | 12-25 | 1015 | 400 | 289 |
| | 300 | 500 | 460 | 410 | 375 | - | 30 | 3 | 12-25 | 1190 | 450 | 365 |
| | 350 | 550 | 520 | 470 | 435 | - | 34 | 4 | 16-25 | 1350 | 500 | 558 |
| | 400 | 600 | 580 | 525 | 485 | - | 36 | 4 | 16-25 | 1460 | 500 | 850 |
| 2.5MPa | 450 | 650 | 640 | 585 | 545 | - | 40 | 4 | 20-30 | 1620 | 550 | 1164 |
| | 500 | 700 | 705 | 650 | 608 | - | 44 | 4 | 20-34 | 1800 | 550 | 1482 |
| | 50 | 250 | 160 | 125 | 100 | - | 20 | 3 | 4-18 | 335 | 250 | 99 |
| | 80 | 280 | 195 | 160 | 135 | - | 22 | 3 | 8-18 | 510 | 280 | 118 |
| | 100 | 300 | 230 | 190 | 160 | - | 24 | 3 | 8-23 | 685 | 300 | 147 |
| | 150 | 350 | 300 | 250 | 218 | - | 30 | 3 | 8-25 | 790 | 300 | 204 |
| | 200 | 400 | 360 | 310 | 278 | - | 34 | 3 | 12-25 | 885 | 350 | 273 |
| | 250 | 450 | 425 | 370 | 332 | - | 36 | 3 | 12-30 | 1015 | 400 | 373 |
| | 300 | 500 | 485 | 430 | 390 | - | 40 | 4 | 16-30 | 1190 | 450 | 478 |
| 4.0MPa | 350 | 550 | 550 | 490 | 448 | - | 44 | 4 | 16-34 | 1350 | 500 | 680 |
| | 400 | 600 | 610 | 550 | 505 | - | 48 | 4 | 16-34 | 1460 | 500 | 1008 |
| | 450 | 650 | 660 | 600 | 555 | - | 50 | 4 | 20-34 | 1620 | 550 | 1344 |
| | 500 | 700 | 730 | 660 | 610 | - | 52 | 4 | 20-41 | 1800 | 550 | 1827 |
| | 50 | 250 | 160 | 125 | 100 | 88 | 20 | 3 | 4-18 | 3400 | 250 | 98 |
| | 80 | 310 | 195 | 160 | 135 | 121 | 22 | 3 | 8-18 | 508 | 300 | 126 |
| | 100 | 350 | 230 | 190 | 160 | 150 | 24 | 3 | 8-23 | 680 | 300 | 156 |
| | 150 | 450 | 300 | 250 | 218 | 204 | 30 | 3 | 8-25 | 800 | 400 | 228 |
| | 6.4MPa | 200 | 550 | 375 | 320 | 282 | 260 | 38 | 3 | 12-30 | 875 | 500 |
| 250 | | 650 | 445 | 385 | 345 | 313 | 42 | 3 | 12-34 | 1010 | 500 | 372 |
| 300 | | 750 | 510 | 450 | 408 | 364 | 46 | 4 | 16-34 | 1180 | 550 | 450 |
| 350 | | 850 | 570 | 510 | 465 | 422 | 52 | 4 | 16-34 | 1145 | 600 | 530 |
| 400 | | 950 | 655 | 585 | 535 | 474 | 58 | 4 | 16-41 | 1280 | 600 | 610 |
| 450 | | 1050 | 680 | 610 | 560 | 524 | 60 | 4 | 20-41 | 1415 | 700 | 690 |
| 500 | | 1150 | 755 | 670 | 612 | 576 | 62 | 4 | 20-48 | 1560 | 750 | 772 |
| 50 | | 250 | 175 | 135 | 105 | - | 26 | 3 | 4-23 | 340 | 250 | 142 |
| 80 | | 310 | 210 | 170 | 140 | - | 30 | 3 | 8-23 | 508 | 300 | 168 |
| 6.4MPa | 100 | 350 | 250 | 200 | 168 | - | 32 | 3 | 8-25 | 680 | 300 | 210 |
| | 150 | 450 | 340 | 280 | 240 | - | 38 | 3 | 8-34 | 800 | 400 | 270 |
| | 200 | 550 | 405 | 345 | 300 | - | 44 | 3 | 12-34 | 875 | 500 | 367 |
| | 250 | 650 | 470 | 400 | 352 | - | 48 | 3 | 12-41 | 1010 | 500 | 450 |
| | 300 | 750 | 530 | 460 | 415 | - | 54 | 4 | 16-41 | 1180 | 550 | 532 |
| | 350 | 850 | 595 | 525 | 475 | - | 60 | 4 | 16-41 | 1145 | 600 | 548 |
| | 400 | 950 | 670 | 585 | 525 | - | 66 | 4 | 16-48 | 1280 | 600 | 615 |
| | 450 | 1050 | 715 | 630 | 570 | - | 70 | 4 | 20-48 | 1415 | 700 | 695 |
| | 500 | 1150 | 800 | 705 | 610 | - | 76 | 4 | 20-54 | 1560 | 750 | 778 |



产品执行标准Production enforce standard

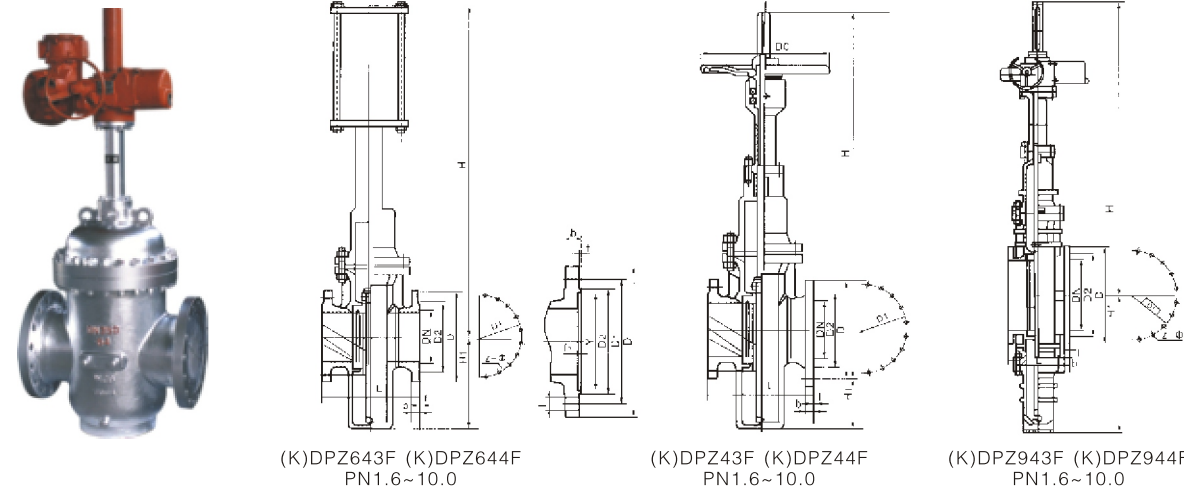
| 产品规范 Product Specification | 设计规范 Design spec | 结构长度 Face to Face | 连接法兰 Flange End | 试验与检验 Test & Check | 压力-温度 Pressure-Temp | 产品标识 Marking |
|-------------------------------|---------------------|----------------------|--------------------|-----------------------|------------------------|-----------------|
| | JB/T 5298 | JB/T 5298 | JB/T 79 | JB/T 5298 | GB9131 | GB/T 12220 |
| | API6D | API6D | ANSI B16.5 | API6D | ANSI B16.34 | MSS SP-25 |

产品性能规范Chief property and specification

| 压力等级 | 常温下压力试验 (MPa) | | | | 适用温度℃ Applicable temperature | | | 适用介质 Applicable medium | | |
|------------|---------------|------|------|------|---------------------------------|---------|---------|---------------------------|---------------------------------------|-----------|
| | 壳体 | 左密封 | 右密封 | 低压密封 | "G"型 | "D"型 | 普通型 | "抗硫"型 | "基本"型 | |
| 公称压力 (PNa) | 1.6 | 2.4 | 1.76 | 1.76 | 0.6 | -29~250 | -46~121 | -29~121 | 含H ₂ O和CO ₂ 的介质 | 石油、天然气、水等 |
| | 2.5 | 3.75 | 2.75 | 2.75 | 0.6 | | | | | |
| | 4.0 | 6.0 | 4.4 | 4.4 | 0.6 | | | | | |
| | 6.4 | 9.6 | 7.04 | 7.04 | 0.6 | | | | | |
| 磅级 Lb | 150 | 3.1 | 2.3 | 2.3 | 0.6 | | | | | |
| | 300 | 5.52 | 7.6 | 5.52 | 0.6 | | | | | |

主要零部件材料Main Part Material

| 零件名称 Part name | 零部件材料 Part Material | | | |
|----------------------|----------------------------------|------------------------|------------------|------------------|
| | JB/T7298 | | API 6D | |
| 阀门/阀盖 Body/Bonnet | WCB | WC6 | A352-LCB | A351-CF8M |
| 阀板 Disc | 2Cr13+ENP | 20CrMoV+STL | ANSI 410+ENP | ANSI 316+ENP |
| 阀杆 Stem | 2Cr13 | 2Cr13 | A182-F6a | A182-F316S |
| 阀座 Seat | 25+PTFE | 20CrMoV+STL | A105+PTFE | A182-F316+PTFE |
| 填料 Packing | NBR/FPM | 柔性石墨/Flexible Graphite | | 聚四氟乙烯/PTFE+FPM |
| 垫片 Gasket | 18-8/柔性石墨/18-8/Flexible Graphite | | | |
| 螺栓 Bolt | 35 | 35CrMo | A193-B7M | A193-B7M |
| 适用温度 Suitable Temp. | -29~250℃ | | -29~550℃ | -46~350℃ |
| 适用介质 Suitable Medium | 水、油品 Water, Oil, | | 蒸气、油品 Steam, Oil | 丙烷、乙烯 Steam, Oil |
| | | | | 硝酸类 Nitric Acid |



(K)DPZ643F (K)DPZ644F
PN1.6~10.0

(K)DPZ43F (K)DPZ44F
PN1.6~10.0

(K)DPZ943F (K)DPZ944F
PN1.6~10.0

主要外形和连接尺寸Main External and Connection Dimension

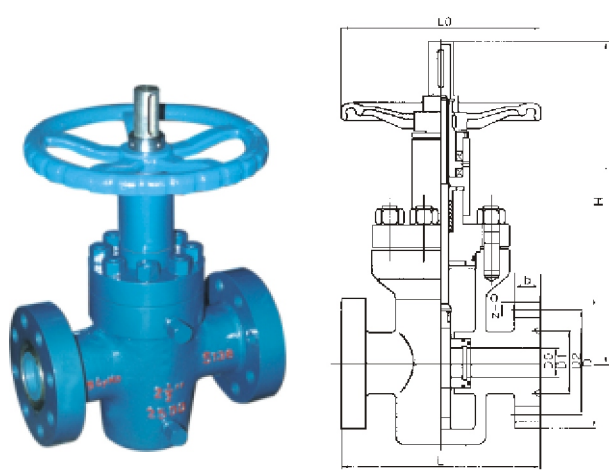
单位Unit:mm

| 公称压力PN | DN | L | D | D1 | D2 | D0 | f | b | H | H1 | Z-Φ |
|--------|-----|------|------|------|-----|-----|----|------|------|-------|-------|
| 1.6MPa | 50 | 178 | 160 | 125 | 100 | 250 | 3 | 16 | 584 | 80 | 4-18 |
| | 65 | 190 | 180 | 145 | 120 | 250 | 3 | 18 | 634 | 95 | 4-18 |
| | 80 | 203 | 195 | 160 | 135 | 250 | 3 | 20 | 688 | 100 | 8-18 |
| | 100 | 229 | 215 | 180 | 155 | 300 | 3 | 20 | 863 | 114 | 8-18 |
| | 125 | 254 | 245 | 210 | 185 | 350 | 3 | 22 | 940 | 132 | 8-18 |
| | 150 | 267 | 280 | 240 | 210 | 350 | 3 | 24 | 1030 | 150 | 8-23 |
| | 200 | 292 | 335 | 295 | 265 | 350 | 3 | 26 | 1277 | 168 | 12-23 |
| | 250 | 330 | 405 | 355 | 320 | 400 | 3 | 30 | 1491 | 203 | 12-25 |
| | 300 | 356 | 460 | 410 | 375 | 450 | 4 | 30 | 1701 | 237 | 12-25 |
| | 350 | 381 | 520 | 470 | 435 | 500 | 4 | 34 | 1875 | 265 | 16-25 |
| | 400 | 406 | 580 | 525 | 485 | 305 | 4 | 36 | 2180 | 300 | 16-30 |
| | 450 | 432 | 640 | 585 | 545 | 305 | 4 | 40 | 2440 | 325 | 20-30 |
| | 500 | 457 | 705 | 650 | 608 | 305 | 4 | 44 | 2860 | 360 | 20-34 |
| 600 | 508 | 840 | 770 | 718 | 305 | 5 | 48 | 3450 | 425 | 20-41 | |
| 700 | 610 | 910 | 840 | 788 | 305 | 5 | 50 | 3960 | 460 | 24-41 | |
| 800 | 660 | 1020 | 950 | 898 | 305 | 5 | 52 | 4550 | 512 | 24-41 | |
| 900 | 711 | 1120 | 1050 | 998 | 250 | 5 | 54 | 5250 | 565 | 28-41 | |
| 1000 | 811 | 1255 | 1170 | 1110 | 250 | 5 | 56 | 5870 | 630 | 28-48 | |
| 2.5MPa | 50 | 178 | 160 | 125 | 100 | 250 | 3 | 20 | 584 | 80 | 4-18 |
| | 65 | 190 | 180 | 145 | 120 | 300 | 3 | 22 | 634 | 95 | 8-18 |
| | 80 | 203 | 195 | 160 | 135 | 350 | 3 | 22 | 688 | 100 | 8-18 |
| | 100 | 229 | 230 | 190 | 160 | 350 | 3 | 24 | 863 | 114 | 8-23 |
| | 125 | 254 | 270 | 220 | 188 | 350 | 3 | 28 | 940 | 132 | 8-25 |
| | 150 | 267 | 300 | 250 | 218 | 400 | 3 | 30 | 1030 | 150 | 8-25 |
| | 200 | 292 | 360 | 310 | 278 | 450 | 3 | 34 | 1277 | 168 | 12-25 |
| | 250 | 330 | 425 | 370 | 332 | 500 | 3 | 36 | 1491 | 203 | 12-30 |
| | 300 | 356 | 485 | 430 | 390 | 305 | 4 | 40 | 1701 | 237 | 16-30 |
| | 350 | 381 | 550 | 490 | 448 | 305 | 4 | 44 | 1875 | 265 | 16-34 |
| | 400 | 406 | 610 | 550 | 505 | 305 | 4 | 48 | 2180 | 300 | 16-34 |
| | 450 | 432 | 660 | 600 | 555 | 305 | 4 | 50 | 2440 | 325 | 20-34 |
| | 500 | 457 | 730 | 660 | 610 | 305 | 4 | 52 | 2860 | 360 | 20-41 |
| 600 | 508 | 840 | 770 | 718 | 305 | 5 | 56 | 3450 | 425 | 20-41 | |
| 700 | 610 | 955 | 875 | 815 | 305 | 5 | 60 | 3960 | 460 | 24-48 | |
| 800 | 660 | 1070 | 990 | 930 | 305 | 5 | 64 | 4550 | 512 | 24-48 | |
| 900 | 711 | 1180 | 1090 | 1025 | | 5 | 66 | 5250 | 595 | 28-54 | |
| 1000 | 811 | 1305 | 1210 | 1140 | | 5 | 68 | 5870 | 660 | 28-58 | |

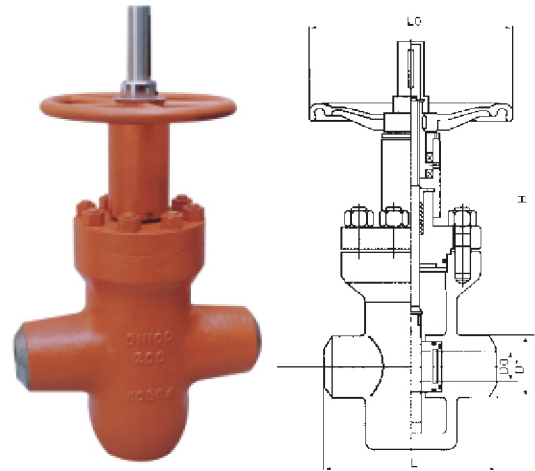
主要外形和连接尺寸Main External and Connection Dimension

单位Unit:mm

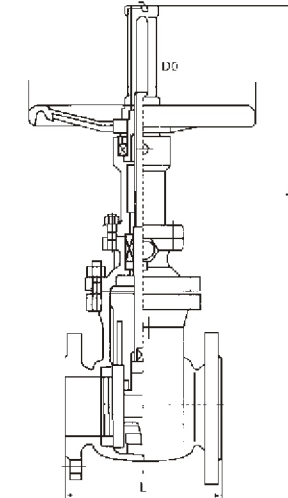
| 公称压力PN | DN | L | D | D1 | D2 | Y | D0 | f | f2 | b | H | H1 | Z-Φ |
|---------|------|------|------|-----|-----|-----|-----|---|-----|------|------|-------|-------|
| 4.0MPa | 50 | 250 | 160 | 125 | 100 | 88 | 250 | 3 | 4 | 20 | 584 | 80 | 4-18 |
| | 65 | 280 | 180 | 145 | 120 | 110 | 250 | 3 | 4 | 22 | 634 | 95 | 8-18 |
| | 80 | 310 | 195 | 160 | 135 | 121 | 250 | 3 | 4 | 22 | 679 | 102 | 8-18 |
| | 100 | 350 | 230 | 190 | 160 | 150 | 300 | 3 | 4.5 | 24 | 863 | 115 | 8-23 |
| | 125 | 400 | 270 | 220 | 188 | 176 | 350 | 3 | 4.5 | 28 | 940 | 133 | 8-25 |
| | 150 | 450 | 300 | 250 | 218 | 204 | 350 | 3 | 4.5 | 30 | 1040 | 152 | 8-25 |
| | 200 | 550 | 375 | 320 | 282 | 260 | 350 | 3 | 4.5 | 38 | 1282 | 188 | 12-30 |
| | 250 | 650 | 445 | 385 | 345 | 313 | 400 | 3 | 4.5 | 42 | 1495 | 223 | 12-34 |
| | 300 | 750 | 510 | 450 | 408 | 364 | 450 | 4 | 4.5 | 46 | 1701 | 250 | 16-34 |
| | 350 | 850 | 570 | 510 | 465 | 422 | 500 | 4 | 5 | 52 | 1880 | 280 | 16-41 |
| | 400 | 950 | 655 | 585 | 535 | 474 | 305 | 4 | 5 | 58 | 2200 | 310 | 20-41 |
| | 450 | 1050 | 680 | 610 | 560 | 524 | 305 | 4 | 5 | 60 | 2480 | 335 | 20-41 |
| | 500 | 1150 | 755 | 670 | 612 | 576 | 305 | 4 | 5 | 62 | 2890 | 380 | 20-48 |
| 600 | 1350 | 890 | 795 | 730 | 678 | 305 | 5 | 6 | 62 | 3460 | 450 | 20-54 | |
| 700 | 1450 | 995 | 900 | 835 | 768 | 305 | 5 | 6 | 68 | 3985 | 500 | 24-54 | |
| 800 | 1650 | 1135 | 1030 | 960 | 876 | 305 | 5 | 6 | 76 | 4750 | 570 | 24-58 | |
| 6.4MPa | 50 | 250 | 175 | 135 | 105 | 88 | 250 | 3 | 4 | 26 | 584 | 90 | 4-23 |
| | 65 | 280 | 200 | 160 | 130 | 110 | 250 | 3 | 4 | 28 | 634 | 105 | 8-23 |
| | 80 | 310 | 210 | 170 | 140 | 121 | 250 | 3 | 4 | 30 | 679 | 110 | 8-23 |
| | 100 | 350 | 250 | 200 | 168 | 150 | 300 | 3 | 4.5 | 32 | 763 | 130 | 8-25 |
| | 125 | 400 | 295 | 240 | 202 | 176 | 350 | 3 | 4.5 | 36 | 970 | 150 | 8-30 |
| | 150 | 450 | 340 | 280 | 240 | 204 | 350 | 3 | 4.5 | 38 | 1038 | 175 | 8-34 |
| | 200 | 550 | 405 | 345 | 300 | 260 | 350 | 3 | 4.5 | 44 | 1282 | 210 | 12-34 |
| | 250 | 650 | 470 | 400 | 352 | 313 | 400 | 3 | 4.5 | 48 | 1495 | 240 | 12-41 |
| | 300 | 750 | 530 | 460 | 412 | 364 | 450 | 4 | 4.5 | 54 | 1965 | 270 | 16-41 |
| | 350 | 850 | 595 | 525 | 475 | 422 | 500 | 4 | 5 | 60 | 2185 | 300 | 16-41 |
| | 400 | 950 | 670 | 585 | 525 | 474 | 305 | 4 | 5 | 66 | 2573 | 335 | 16-48 |
| | 450 | 1050 | 715 | 630 | 570 | 524 | 305 | 4 | 5 | 68 | 2800 | 360 | 20-48 |
| | 500 | 1150 | 800 | 705 | 640 | 576 | 305 | 4 | 5 | 70 | 3280 | 405 | 20-54 |
| 600 | 1350 | 930 | 820 | 750 | 678 | 305 | 5 | 6 | 76 | 3800 | 470 | 20-58 | |
| 10.0MPa | 50 | 250 | 195 | 145 | 112 | 88 | 250 | 3 | 4 | 28 | 590 | 100 | 4-25 |
| | 65 | 280 | 220 | 170 | 138 | 110 | 250 | 3 | 4 | 32 | 640 | 115 | 8-25 |
| | 80 | 310 | 230 | 180 | 148 | 121 | 250 | 3 | 4 | 34 | 680 | 120 | 8-25 |
| | 100 | 350 | 265 | 210 | 172 | 150 | 300 | 3 | 4.5 | 38 | 870 | 135 | 8-30 |
| | 125 | 400 | 310 | 250 | 210 | 176 | 350 | 3 | 4.5 | 42 | 980 | 155 | 8-34 |
| | 150 | 450 | 350 | 290 | 250 | 204 | 350 | 3 | 4.5 | 46 | 1100 | 180 | 12-34 |
| | 200 | 550 | 430 | 360 | 312 | 260 | 350 | 3 | 4.5 | 54 | 1315 | 220 | 12-41 |
| | 250 | 650 | 500 | 430 | 382 | 313 | 400 | 3 | 4.5 | 60 | 1605 | 255 | 12-41 |
| | 300 | 750 | 585 | 500 | 442 | 364 | 450 | 4 | 4.5 | 70 | 1925 | 295 | 16-48 |
| | 350 | 850 | 665 | 560 | 498 | 422 | 500 | 4 | 5 | 76 | 2280 | 335 | 16-54 |
| | 400 | 950 | 715 | 620 | 558 | 474 | 305 | 4 | 5 | 80 | 2580 | 360 | 16-54 |



GPZ43Y油田专用高压平板闸阀



GPZ63Y油田专用高压平板闸阀



ZBPZ44Y自动补偿平板闸阀

主要外形和连接尺寸 Main External and Connection Dimension

单位 Unit:mm

| 公称压力 PN | 公称通径 DN | L | H | D0 | D1 | D2 | D | b | Z-Φ | L0 |
|----------------|---------|-----|-----|--------|--------|-------|-----|---------|--------|-----|
| 16MPa 22MPa | 25 | 210 | 345 | 25 | 50.8 | 101.5 | 150 | 29 | 4-26 | 200 |
| | 32 | 240 | 350 | 29 | 60.32 | 111.0 | 160 | 29 | 4-26 | 220 |
| | 40 | 260 | 380 | 36 | 68.28 | 124.0 | 180 | 32 | 4-29.5 | 280 |
| | 50 | 300 | 400 | 45 | 95.25 | 165.0 | 215 | 38.5 | 8-26 | 300 |
| | 65 | 320 | 440 | 58 | 107.95 | 190.5 | 245 | 41.5 | 8-29.5 | 350 |
| | 80 | 360 | 500 | 72 | 123.82 | 190.5 | 240 | 38.5 | 8-26 | 360 |
| | 100 | 450 | 540 | 90 | 149.22 | 235.0 | 290 | 44.5 | 8-32.5 | 400 |
| 150 | 560 | 620 | 135 | 211.12 | 317.5 | 380 | 56 | 12-32.5 | 450 | |
| 25MPa 35MPa | 25 | 220 | 345 | 25 | 50.8 | 101.5 | 150 | 29 | 4-26 | 200 |
| | 32 | 250 | 350 | 29 | 60.32 | 111.0 | 160 | 29 | 4-26 | 220 |
| | 40 | 270 | 380 | 36 | 68.28 | 124.0 | 180 | 32 | 4-29.5 | 280 |
| | 50 | 310 | 400 | 45 | 95.25 | 165.0 | 215 | 38.5 | 8-26 | 300 |
| | 65 | 340 | 440 | 58 | 107.95 | 190.5 | 245 | 41.5 | 8-29.5 | 350 |
| | 80 | 380 | 500 | 72 | 136.25 | 203.0 | 265 | 48 | 8-32.5 | 360 |
| | 100 | 480 | 540 | 90 | 161.92 | 241.5 | 310 | 54 | 8-35.5 | 400 |
| 150 | 580 | 620 | 135 | 211.12 | 317.5 | 395 | 83 | 12-39 | 450 | |

主要外形和连接尺寸 Main External and Connection Dimension

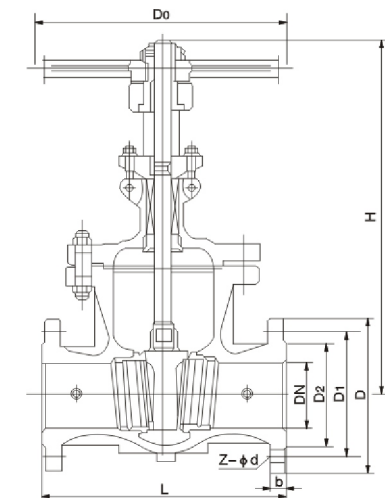
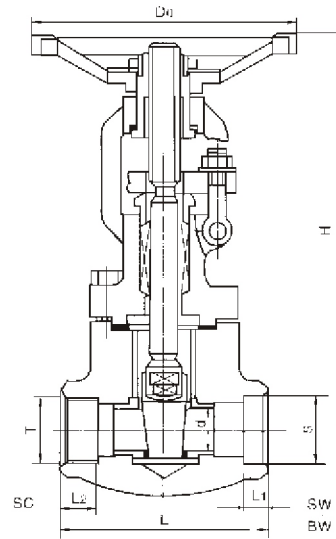
单位 Unit:mm

| 公称压力 PN | 公称通径 DN | L | H | D0 | D1 | L0 |
|----------------|---------|-----|-----|-----|-----|-----|
| 16MPa 22MPa | 25 | 160 | 345 | 25 | 42 | 200 |
| | 32 | 180 | 350 | 29 | 54 | 220 |
| | 40 | 210 | 380 | 36 | 60 | 280 |
| | 50 | 230 | 400 | 45 | 73 | 300 |
| | 65 | 250 | 440 | 58 | 89 | 350 |
| | 80 | 270 | 500 | 72 | 108 | 360 |
| | 100 | 320 | 540 | 90 | 133 | 400 |
| 150 | 500 | 620 | 135 | 192 | 450 | |
| 25MPa 35MPa | 25 | 160 | 345 | 25 | 42 | 200 |
| | 32 | 180 | 350 | 29 | 56 | 220 |
| | 40 | 210 | 380 | 36 | 64 | 280 |
| | 50 | 230 | 400 | 45 | 76 | 300 |
| | 65 | 250 | 440 | 58 | 89 | 350 |
| | 80 | 270 | 500 | 72 | 114 | 360 |
| | 100 | 320 | 540 | 90 | 146 | 400 |
| 150 | 500 | 620 | 135 | 192 | 450 | |

主要外形和连接尺寸 Main External and Connection Dimension

单位 Unit:mm

| 公称压力 PN | 主要外形尺寸和连接尺寸 (mm) Main external and connecting dimensions | | | | | | | | | | | | | | |
|---------|----------------------------------------------------------|-----|-----|-----|-----|-----|-----|------|------|------|------|------|------|------|------|
| | DN | 50 | 65 | 80 | 100 | 125 | 150 | 200 | 250 | 300 | 350 | 400 | 450 | 500 | 600 |
| 1.6MPa | L | 250 | 265 | 280 | 300 | 325 | 350 | 400 | 450 | 500 | 550 | 600 | 650 | 700 | 800 |
| | H | 417 | 452 | 530 | 607 | 614 | 850 | 1060 | 1225 | 1415 | 1630 | 1780 | 2050 | 2181 | 2599 |
| | D0 | 240 | 240 | 280 | 300 | 300 | 350 | 400 | 450 | 500 | 500 | 600 | 720 | 720 | 720 |
| | WT (Kg) | 22 | 30 | 44 | 47 | 76 | 96 | 160 | 228 | 300 | 388 | 566 | 900 | 958 | 1410 |
| 2.5MPa | L | 250 | 265 | 280 | 300 | 325 | 350 | 400 | 450 | 500 | 550 | 600 | 650 | 700 | 800 |
| | H | 417 | 452 | 567 | 590 | 756 | 880 | 1041 | 1260 | 1415 | 1630 | 1780 | 2050 | 2181 | 2599 |
| | D0 | 240 | 240 | 280 | 320 | 320 | 400 | 400 | 450 | 500 | 500 | 600 | 720 | 720 | 720 |
| | WT (Kg) | 23 | 32 | 46 | 67 | 78 | 112 | 218 | 290 | 324 | 423 | 566 | 900 | 958 | 1410 |
| 4.0MPa | L | 250 | 280 | 310 | 350 | 400 | 450 | 550 | 650 | 750 | 850 | 950 | 1050 | 1150 | 1350 |
| | H | 417 | 452 | 567 | 590 | 776 | 885 | 1065 | 1250 | 1531 | 1700 | 1770 | 1820 | 1880 | 2200 |
| | D0 | 240 | 240 | 280 | 320 | 350 | 400 | 500 | 550 | 640 | 640 | 640 | 680 | 680 | 680 |
| | WT (Kg) | 28 | 35 | 47 | 68 | 115 | 150 | 235 | 374 | 550 | 890 | 1235 | 1400 | 1506 | 1780 |
| 6.4MPa | L | 250 | 280 | 310 | 350 | 400 | 450 | 550 | 650 | 750 | 850 | 950 | | | |
| | H | 505 | 545 | 605 | 665 | 780 | 980 | 1120 | 1332 | 1680 | 1745 | 1820 | | | |
| | D0 | 280 | 280 | 320 | 400 | 400 | 450 | 550 | 550 | 640 | 640 | 680 | | | |
| | WT (Kg) | 44 | 64 | 84 | 119 | 174 | 266 | 388 | 500 | 550 | 898 | 1234 | | | |



产品执行标准 Production enforce standard

| 产品规范 Product Specification | 设计规范 Design Spec | 结构长度 Face to Face | 连接法兰 Flange End | 试验与检验 Test & Check | 压力-温度 Pressure-Temp | 产品标识 Marking | 供货规范 Supply |
|-------------------------------|---------------------|----------------------|--------------------|-----------------------|------------------------|-----------------|----------------|
| | JB/T7746 | JB/T7746 | JB/T79 | JB/T9092 | GB/T9131 | GB/T12220 | JB/T7928 |

产品性能规范 Chief property and specification

| 试验项目 Test item | 强度试验 Shell test | 密封试验 Seal test | 气密封试验 Air seal test | 适用温度℃ Applicable temperature | 适用介质 Applicable medium |
|-------------------|--------------------|-------------------|------------------------|---------------------------------|------------------------------|
| 1.6 | 2.4 | 1.73 | 0.6 | ≤425℃ | 水、油品、蒸气 Water, oil, steam |
| 2.5 | 3.8 | 2.75 | | | |
| 4.0 | 6.0 | 4.4 | | | |
| 6.4 | 9.6 | 7.04 | | | |
| 10.0 | 15.0 | 11.0 | | | |
| 16.0 | 24.0 | 17.6 | | | |

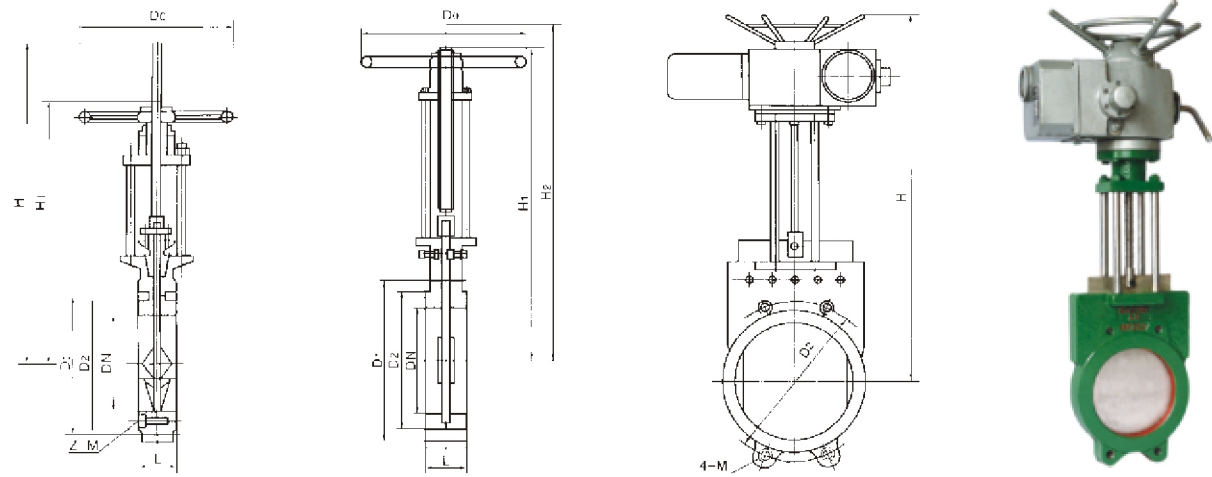
主要零部件材料 Main Part Material

| 零件名称 Part Name | 零部件材料 Part Material | |
|----------------------|---------------------------------|--------------------|
| 阀体/阀盖 Body/Bonnet | 25 | 1Cr18Ni9Ti |
| 闸板/闸瓣 Wedge/Disc | 2Cr13 | 1Cr18Ni9Ti |
| 阀杆 Stem | 2Cr13 | 1Cr18Ni9Ti |
| 密封圈 Seal Ring | 1Cr13+HF | 1Cr18Ni9Ti+STL |
| 填料 Packing | 柔性石墨/Flexible Graphite | 聚四氟乙烯/PTFE |
| 垫片 Gasket | 18-8/柔性石墨/18-8Flexible Graphite | |
| 螺栓 Bolt | 35/35CrMo | 1Cr18Ni9Ti |
| 适用温度 Suitable Temp | -29 ~ 425℃ | -40 ~ 200℃ |
| 适用介质 Suitable Medium | 水、油品、蒸气 Water, Oil, Steam | 硝酸类 Nitric Acid |

主要外形和连接尺寸 Main External and Connection Dimension

单位 Unit: mm

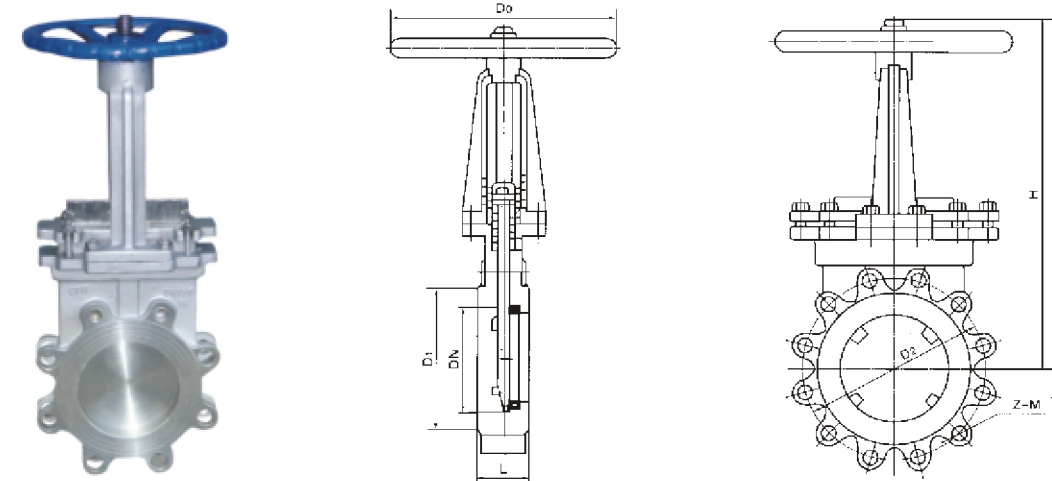
| 公称通径 DN | 主要外形尺寸和连接尺寸 (mm) Main external and connecting dimensions | | | | | | | | WT (Kg) |
|-------------------------------|----------------------------------------------------------|-----|-----|-----|----|--------|------|-----|------------|
| | L | D | D1 | D2 | b | Z-φd | H | D0 | |
| BZ41H-16C BZ41W-16P BZ41W-16R | | | | | | | | | |
| 40 | 200 | 160 | 125 | 100 | 18 | 4-φ18 | 310 | 200 | 49 |
| 50 | 250 | 180 | 145 | 120 | 18 | 4-φ18 | 358 | 240 | 54 |
| 65 | 265 | 195 | 160 | 135 | 20 | 8-φ18 | 373 | 240 | 81 |
| 80 | 280 | 215 | 180 | 155 | 20 | 8-φ18 | 435 | 280 | 100 |
| 100 | 300 | 245 | 210 | 185 | 22 | 8-φ18 | 500 | 300 | 120 |
| 125 | 325 | 280 | 240 | 210 | 24 | 8-φ23 | 614 | 320 | 210 |
| 150 | 350 | 335 | 295 | 265 | 26 | 12-φ23 | 674 | 360 | 260 |
| 200 | 400 | 405 | 355 | 320 | 30 | 12-φ25 | 818 | 400 | 300 |
| 250 | 450 | 460 | 410 | 375 | 30 | 12-φ25 | 969 | 450 | 400 |
| 300 | 500 | 520 | 470 | 435 | 34 | 16-φ25 | 1145 | 560 | 490 |
| BZ41H-25 BZ41W-25P BZ41W-25R | | | | | | | | | |
| 40 | 200 | 160 | 125 | 100 | 20 | 4-φ18 | 358 | 240 | 52 |
| 50 | 250 | 180 | 145 | 120 | 22 | 8-φ18 | 373 | 240 | 56 |
| 65 | 265 | 195 | 160 | 135 | 22 | 8-φ18 | 435 | 280 | 86 |
| 80 | 280 | 230 | 190 | 160 | 24 | 8-φ18 | 500 | 300 | 105 |
| 100 | 300 | 270 | 220 | 188 | 28 | 8-φ15 | 614 | 320 | 170 |
| 125 | 325 | 300 | 250 | 218 | 30 | 8-φ25 | 674 | 360 | 245 |
| 150 | 350 | 360 | 310 | 278 | 34 | 12-φ25 | 818 | 400 | 270 |
| 200 | 400 | 425 | 370 | 332 | 36 | 12-φ30 | 969 | 450 | 380 |
| 250 | 450 | 485 | 430 | 390 | 40 | 12-φ30 | 1145 | 560 | 535 |
| 300 | 500 | 550 | 490 | 448 | 44 | 16-φ34 | 1145 | 640 | 546 |



主要尺寸及重量 Main dimensions and weight

单位 Unit: mm

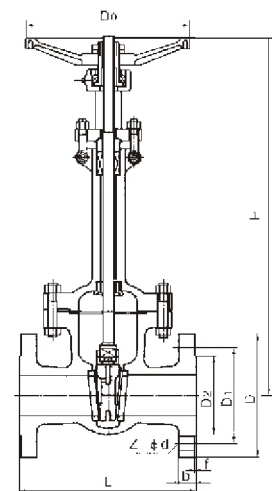
| 公称通径 DN | 主要外形尺寸和连接尺寸 (mm) Main external and connecting dimensions | | | | | | | WT (Kg) |
|----------------------------------------------------------------------------------------------------------|----------------------------------------------------------|------|------|--------|------|------|-----|------------|
| | L | D1 | D2 | Z-M | H | H1 | D0 | |
| Z73X-2.5 Z73X-6 Z73X-10 Z573X-2.5 Z573X-6 Z573X-10 Z673X-2.5 Z673X-6 Z673X-10 Z973X-2.5 Z973X-6 Z973X-10 | | | | | | | | |
| 50 | 40 | 125 | 100 | 4-M16 | 337 | 268 | 180 | 80 |
| 65 | 40 | 145 | 120 | 4-M16 | 357 | 291 | 180 | 90 |
| 80 | 50 | 160 | 135 | 8-M16 | 400 | 316 | 180 | 112 |
| 100 | 50 | 180 | 155 | 8-M16 | 466 | 364 | 200 | 140 |
| 150 | 60 | 270 | 210 | 8-M20 | 633 | 478 | 240 | 195 |
| 200 | 60 | 295 | 265 | 8-M20 | 744 | 543 | 280 | 260 |
| 250 | 70 | 350 | 318 | 12-M20 | 940 | 687 | 360 | 370 |
| 300 | 70 | 400 | 368 | 12-M20 | 1087 | 783 | 360 | 455 |
| 350 | 80 | 460 | 430 | 16-M20 | 1238 | 885 | 400 | 640 |
| 400 | 80 | 515 | 482 | 16-M24 | 1394 | 994 | 400 | 960 |
| 450 | 90 | 565 | 532 | 20-M24 | 1550 | 1100 | 400 | 1280 |
| 500 | 90 | 620 | 585 | 20-M24 | 1700 | 1200 | 400 | 1710 |
| 600 | 100 | 725 | 685 | 20-M27 | 2080 | 1480 | 400 | 1895 |
| 700 | 100 | 840 | 800 | 24-M27 | 1720 | 2470 | 800 | 2100 |
| 800 | 120 | 950 | 905 | 24-M30 | 2000 | 2900 | 800 | 2410 |
| 900 | 150 | 1050 | 1005 | 28-M30 | 2130 | 3100 | 800 | 2660 |
| Z73X-16C Z573X-16C Z673X-16C Z973X-16C | | | | | | | | |
| 200 | 60 | 295 | 180 | 12-M20 | 754 | 552 | 240 | 265 |
| 250 | 68 | 355 | 230 | 12-M24 | 945 | 692 | 240 | 376 |
| 300 | 78 | 410 | 280 | 12-M24 | 1010 | 788 | 370 | 455 |
| 350 | 78 | 470 | 330 | 16-M24 | 1245 | 890 | 370 | 648 |
| 400 | 102 | 525 | 380 | 16-M24 | 1685 | 1000 | 400 | 970 |
| 450 | 114 | 585 | 430 | 20-M27 | 1835 | 1110 | 400 | 1300 |
| 500 | 127 | 650 | 480 | 20-M30 | 1926 | 1230 | 400 | 1760 |
| 600 | 154 | 770 | 700 | 20-M36 | 2360 | 1500 | 800 | 1980 |



主尺寸及重量 Main dimensions and weight

单位 Unit: mm

| 公称通径 DN | 主要外形尺寸和连接尺寸 (mm) Main external and connecting dimensions | | | | | | | |
|----------------------------------------------------------------------------------------------------------------------|----------------------------------------------------------|-----|-----|-----|--------|------|-----|------|
| | L | D | D1 | D2 | Z-M | H | D0 | W |
| Z73W-10 Z73H-10C Z73W-10P Z573W-10 Z573H-10C Z573W-10P Z673W-10 Z673H-10C Z673W-10P Z973W-10 Z973H-10C Z973W-10P | | | | | | | | |
| 50 | 48 | 160 | 125 | 100 | 4-M16 | 285 | 180 | 8 |
| 65 | 48 | 180 | 145 | 120 | 4-M16 | 298 | 180 | 10 |
| 80 | 50 | 195 | 160 | 135 | 4-M16 | 315 | 220 | 12 |
| 100 | 50 | 215 | 180 | 155 | 8-M16 | 365 | 220 | 14 |
| 150 | 57 | 280 | 240 | 210 | 8-M20 | 475 | 280 | 29 |
| 200 | 70 | 335 | 295 | 265 | 8-M20 | 540 | 360 | 38 |
| 250 | 70 | 390 | 350 | 320 | 12-M20 | 630 | 360 | 66 |
| 300 | 76 | 440 | 400 | 368 | 12-M20 | 780 | 400 | 100 |
| 350 | 76 | 500 | 460 | 428 | 16-M20 | 885 | 400 | 119 |
| 400 | 89 | 565 | 515 | 482 | 16-M22 | 990 | 400 | 195 |
| 450 | 89 | 615 | 565 | 532 | 20-M22 | 1100 | 530 | 285 |
| 500 | 114 | 670 | 620 | 585 | 20-M22 | 1200 | 530 | 389 |
| 600 | 114 | 780 | 725 | 685 | 20-M27 | 1450 | 600 | 529 |
| Z73H-16C Z73W-16P Z73Y-16P Z573H-16C Z573W-16P Z573Y-16P Z673H-16C Z673W-16P Z673Y-16P Z973H-16C Z973W-16P Z973Y-16P | | | | | | | | |
| 50 | 48 | 165 | 125 | 99 | 4-M16 | 285 | 180 | 8.5 |
| 65 | 48 | 185 | 145 | 118 | 4-M16 | 295 | 180 | 10.7 |
| 80 | 50 | 200 | 160 | 132 | 8-M15 | 315 | 220 | 13 |
| 100 | 50 | 220 | 180 | 156 | 8-M16 | 365 | 220 | 15 |
| 150 | 57 | 285 | 240 | 211 | 8-M20 | 475 | 280 | 31 |
| 200 | 70 | 340 | 295 | 266 | 12-M20 | 540 | 360 | 40.7 |
| 250 | 70 | 405 | 355 | 319 | 12-M24 | 630 | 360 | 70 |
| 300 | 76 | 460 | 410 | 370 | 12-M24 | 780 | 400 | 107 |
| 350 | 76 | 520 | 470 | 429 | 16-M24 | 885 | 400 | 129 |
| 400 | 89 | 580 | 525 | 480 | 16-M27 | 990 | 400 | 215 |
| 450 | 89 | 640 | 585 | 548 | 20-M27 | 1100 | 530 | 305 |
| 500 | 114 | 715 | 650 | 609 | 20-M30 | 1200 | 530 | 410 |
| 600 | 114 | 840 | 775 | 720 | 20-M33 | 1450 | 600 | 550 |



主要外形和连接尺寸 Main External and Connection Dimension

单位 Unit:mm

| 公称通径 DN | L | D | D1 | D2 | b | Z-φd | H | D0 | WT(Kg) |
|---------------------|-----|-----|-----|-----|----|--------|------|-----|--------|
| DZ40Y-16C DZ40Y-16P | | | | | | | | | |
| 20 | 150 | 105 | 75 | 55 | 14 | 4-φ14 | 320 | 140 | 6 |
| 25 | 160 | 115 | 85 | 65 | 14 | 4-φ14 | 350 | 160 | 7 |
| 32 | 180 | 135 | 100 | 78 | 16 | 4-φ18 | 385 | 180 | 9 |
| 40 | 200 | 145 | 110 | 85 | 16 | 4-φ18 | 420 | 200 | 15 |
| 50 | 250 | 160 | 125 | 100 | 16 | 4-φ18 | 540 | 240 | 30 |
| 65 | 265 | 180 | 145 | 120 | 18 | 4-φ18 | 610 | 240 | 34 |
| 80 | 280 | 195 | 160 | 135 | 20 | 8-φ18 | 690 | 280 | 45 |
| 100 | 300 | 215 | 180 | 155 | 20 | 8-φ18 | 780 | 300 | 64 |
| 125 | 325 | 245 | 210 | 185 | 22 | 8-φ18 | 930 | 320 | 110 |
| 150 | 350 | 280 | 240 | 210 | 24 | 8-φ23 | 980 | 360 | 135 |
| 200 | 400 | 335 | 295 | 265 | 26 | 12-φ23 | 1180 | 400 | 195 |
| 250 | 450 | 405 | 355 | 320 | 30 | 12-φ25 | 1390 | 450 | 275 |
| 300 | 500 | 460 | 410 | 375 | 30 | 12-φ25 | 1620 | 560 | 380 |
| 350 | 550 | 520 | 470 | 425 | 34 | 16-φ25 | 1810 | 640 | 594 |
| 400 | 600 | 580 | 525 | 485 | 36 | 16-φ30 | 1970 | 640 | 725 |
| DZ40Y-25C DZ40Y-25P | | | | | | | | | |
| 20 | 150 | 105 | 75 | 55 | 16 | 4-φ14 | 320 | 140 | 6 |
| 25 | 160 | 115 | 85 | 65 | 16 | 4-φ14 | 350 | 160 | 8 |
| 32 | 180 | 135 | 100 | 78 | 18 | 4-φ18 | 385 | 180 | 10 |
| 40 | 200 | 145 | 110 | 85 | 18 | 4-φ18 | 420 | 200 | 16 |
| 50 | 250 | 160 | 125 | 100 | 20 | 4-φ18 | 540 | 240 | 30 |
| 65 | 265 | 180 | 145 | 120 | 22 | 8-φ18 | 610 | 240 | 35 |
| 80 | 280 | 195 | 160 | 135 | 22 | 8-φ18 | 690 | 280 | 47 |
| 100 | 300 | 230 | 190 | 160 | 24 | 8-φ23 | 780 | 300 | 65 |
| 125 | 325 | 270 | 220 | 188 | 28 | 8-φ25 | 930 | 320 | 110 |
| 150 | 350 | 300 | 250 | 218 | 30 | 8-φ25 | 980 | 360 | 135 |
| 200 | 400 | 360 | 310 | 278 | 34 | 12-φ25 | 1180 | 400 | 215 |
| 250 | 450 | 425 | 370 | 332 | 36 | 12-φ30 | 1390 | 450 | 295 |
| 300 | 500 | 485 | 430 | 390 | 40 | 16-φ30 | 1620 | 560 | 400 |
| 350 | 550 | 550 | 490 | 448 | 44 | 16-φ34 | 1810 | 640 | 630 |
| 400 | 600 | 610 | 550 | 505 | 48 | 16-φ34 | 1990 | 640 | 910 |

主要外形和连接尺寸 Main External and Connection Dimension

单位 Unit:mm

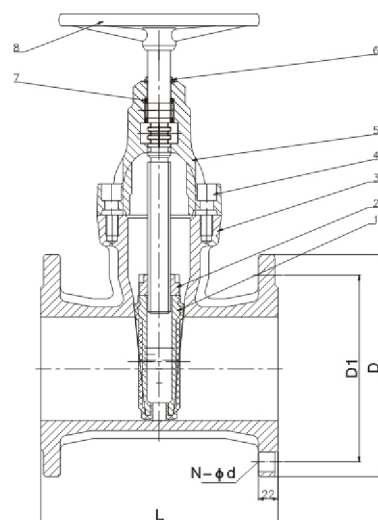
| 公称通径 DN | L | D | D1 | D2 | D6 | b | Z-φd | H | D0 | WT(Kg) |
|---------------------|-----|-----|-----|-----|-----|----|--------|------|-----|--------|
| DZ40Y-40C DZ40Y-40P | | | | | | | | | | |
| 20 | 150 | 105 | 75 | 55 | 51 | 16 | 4-φ14 | 330 | 140 | 7 |
| 25 | 160 | 115 | 85 | 65 | 58 | 16 | 4-φ14 | 360 | 160 | 9 |
| 32 | 180 | 135 | 100 | 78 | 66 | 18 | 4-φ18 | 440 | 180 | 11 |
| 40 | 200 | 145 | 110 | 85 | 76 | 18 | 4-φ18 | 455 | 200 | 19 |
| 50 | 250 | 160 | 125 | 100 | 88 | 20 | 4-φ18 | 575 | 280 | 28 |
| 65 | 280 | 180 | 145 | 120 | 110 | 22 | 8-φ18 | 635 | 280 | 35 |
| 80 | 310 | 195 | 160 | 135 | 121 | 22 | 8-φ18 | 715 | 320 | 50 |
| 100 | 350 | 230 | 190 | 160 | 150 | 24 | 8-φ23 | 815 | 360 | 74 |
| 125 | 400 | 270 | 220 | 188 | 176 | 28 | 8-φ25 | 965 | 400 | 115 |
| 150 | 450 | 300 | 250 | 218 | 204 | 30 | 8-φ25 | 1025 | 400 | 135 |
| 200 | 550 | 375 | 320 | 282 | 260 | 38 | 12-φ30 | 1225 | 450 | 215 |
| 250 | 650 | 445 | 385 | 345 | 313 | 42 | 12-φ34 | 1440 | 560 | 184 |
| 300 | 750 | 510 | 450 | 408 | 346 | 46 | 16-φ34 | 1665 | 640 | 405 |
| 350 | 850 | 570 | 510 | 465 | 422 | 52 | 16-φ34 | 1880 | 640 | 600 |
| 400 | 950 | 655 | 585 | 535 | 474 | 58 | 16-φ41 | 2050 | 720 | 750 |

| 公称通径 DN | L | D | D1 | D2 | D6 | b | Z-φd | H | D0 | WT(Kg) |
|---------------------|-----|-----|-----|-----|-----|----|--------|------|-----|--------|
| DZ40Y-64C DZ40Y-64P | | | | | | | | | | |
| 20 | 190 | 125 | 90 | 68 | 51 | 20 | 4-φ18 | 330 | 100 | 8 |
| 25 | 210 | 135 | 100 | 78 | 58 | 22 | 4-φ18 | 360 | 180 | 13 |
| 32 | 230 | 150 | 110 | 82 | 66 | 24 | 4-φ23 | 410 | 180 | 24 |
| 40 | 240 | 165 | 125 | 95 | 76 | 24 | 4-φ23 | 480 | 200 | 32 |
| 50 | 250 | 175 | 135 | 105 | 88 | 26 | 4-φ23 | 585 | 200 | 39 |
| 65 | 280 | 200 | 160 | 160 | 110 | 28 | 8-φ23 | 690 | 250 | 45 |
| 80 | 310 | 210 | 170 | 140 | 121 | 30 | 8-φ23 | 745 | 300 | 60 |
| 100 | 350 | 250 | 200 | 168 | 150 | 32 | 8-φ25 | 885 | 300 | 90 |
| 125 | 400 | 295 | 240 | 202 | 176 | 36 | 8-φ30 | 985 | 350 | 140 |
| 150 | 450 | 340 | 280 | 240 | 204 | 38 | 8-φ34 | 1050 | 350 | 205 |
| 200 | 550 | 405 | 345 | 300 | 260 | 44 | 12-φ34 | 1240 | 400 | 330 |
| 250 | 650 | 470 | 400 | 352 | 313 | 48 | 12-φ41 | 1460 | 560 | 468 |
| 300 | 750 | 530 | 460 | 412 | 364 | 54 | 16-φ41 | 1690 | 640 | 600 |

| 公称通径 DN | L | D | D1 | D2 | D6 | b | Z-φd | H | D0 | WT(Kg) |
|-----------------------|-----|-----|-----|-----|-----|----|-------|-----|-----|--------|
| DZ40Y-100C DZ40Y-100P | | | | | | | | | | |
| 25 | 210 | 135 | 100 | 78 | 58 | 24 | 4-φ18 | 365 | 200 | 18 |
| 32 | 230 | 150 | 110 | 82 | 66 | 24 | 4-φ23 | 420 | 240 | 27 |
| 50 | 250 | 195 | 145 | 112 | 88 | 28 | 4-φ25 | 630 | 360 | 45 |
| 65 | 280 | 220 | 170 | 138 | 110 | 32 | 8-φ25 | 700 | 400 | 60 |
| 80 | 310 | 230 | 180 | 148 | 211 | 34 | 8-φ25 | 760 | 400 | 76 |
| 100 | 350 | 265 | 210 | 172 | 150 | 38 | 8-φ30 | 900 | 400 | 128 |

注:低温阀订货时注意工作温度,根据温度选用不同的材料。
Remark: Please indicate the Operating temperature, place an order to cryogenic valve. According to temperature, choose different material.

SZ45X弹性座密封闸阀
Elastic seat sealed gate valve



主要零部件材料 Main Part Material

| 序号NO. | 名称 Name | 材料Material |
|-------|---------------------|---------------------------|
| 1 | 阀板 DISK | 不锈钢 Stianless Steel |
| 2 | 支撑螺母 nut | 不锈钢 Stianless Steel |
| 3 | 阀体 Valve body | 球墨铸铁 spheroidal cast iron |
| 4 | 六角螺栓 Yoke sleeve | 不锈钢 Stianless Steel |
| 5 | 阀盖 valve bonnet | 球墨铸铁 spheroidal cast iron |
| 6 | 防尘罩 dust-proofcover | NBR |
| 7 | O型密封圈 seal ring | NBR |
| 8 | 手轮 Hand wheel | 铸铁 cast iron |

外形尺寸 Overall & Comnension Dimensions

| 产品型号 Type | 公称通径(DN) Nominal Diameter | D | | D1 | | N-φd | | L |
|--------------|---------------------------------|--------|--------|--------|--------|--------|--------|-----|
| | | 1.0MPa | 1.6MPa | 1.0MPa | 1.6MPa | 1.0MPa | 1.6MPa | |
| Z45X | 50 | 165 | | 125 | | 4-19 | | 180 |
| | 65 | 185 | | 145 | | 4-19 | | 195 |
| | 80 | 200 | | 160 | | 8-19 | | 210 |
| | 100 | 220 | | 180 | | 8-19 | | 230 |
| | 125 | 250 | | 210 | | 8-19 | | 255 |
| | 150 | 285 | | 240 | | 8-23 | | 280 |
| | 200 | 340 | | 295 | | 8-23 | 12-23 | 330 |
| SZ45X | 250 | 405 | | 350 | 355 | 12-23 | 12-28 | 380 |
| | 300 | 460 | | 400 | 410 | 12-23 | 12-28 | 420 |
| | 350 | 520 | | 460 | 470 | 16-23 | 16-28 | 450 |
| | 400 | 580 | | 515 | 525 | 16-28 | 16-31 | 480 |
| | 450 | 640 | | 565 | 585 | 20-28 | 20-31 | 510 |
| | 500 | 710 | | 620 | 650 | 20-28 | 20-34 | 550 |
| | 600 | 840 | | 725 | 770 | 20-31 | 30-37 | 600 |